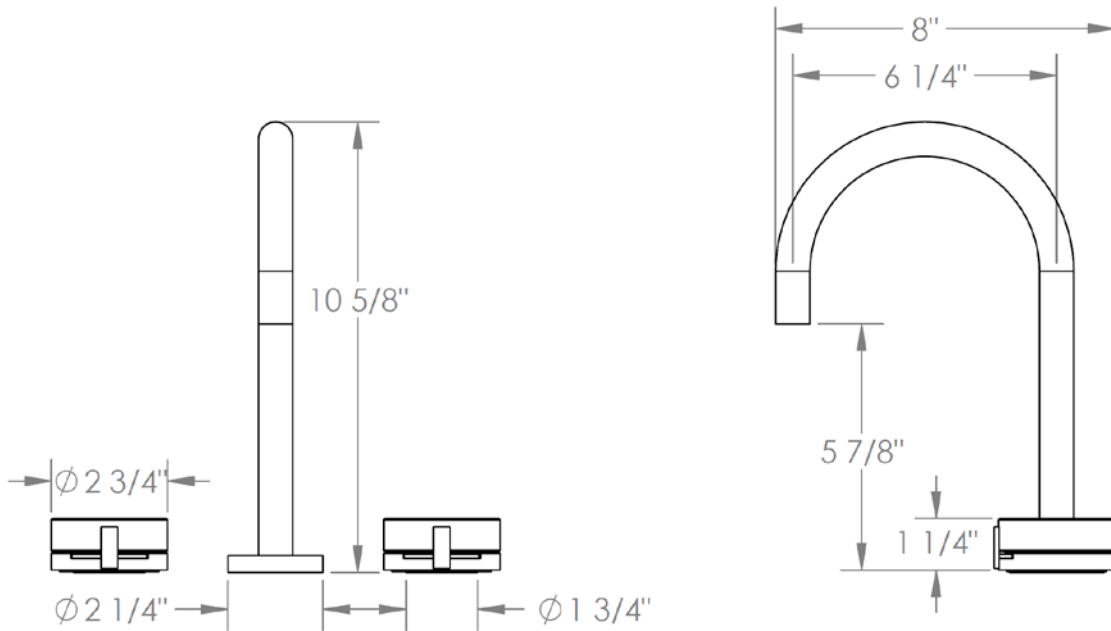


21-2-E2

Deck Mounted 3 Hole Lavatory Set
Includes MPU5 Soft Touch Drain
Flow Rate: 1.2 GPM



Meets the applicable requirements of ASME A112.18.1-2005/CSA B125.1-05, entitled "Plumbing Supply Fittings"