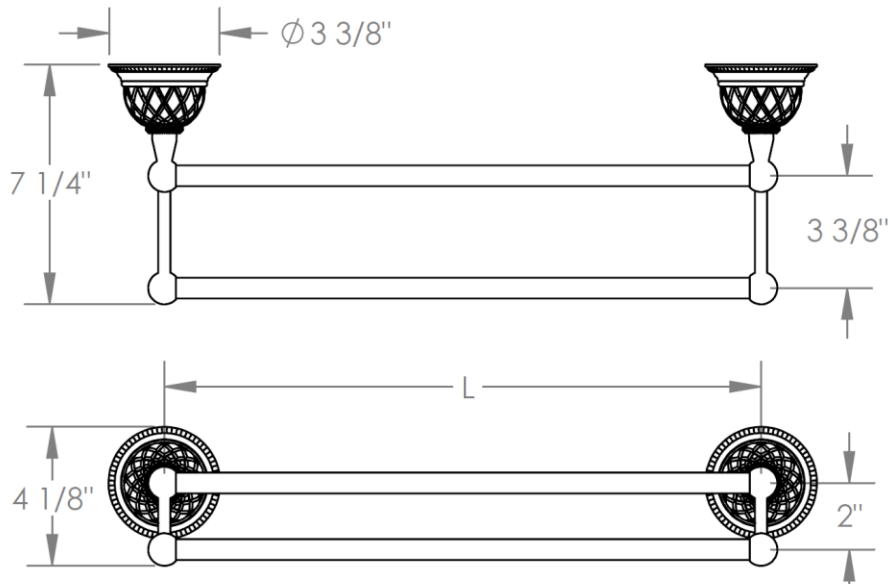


180-0.2 - __
Wall Mounted Double Towel Bar

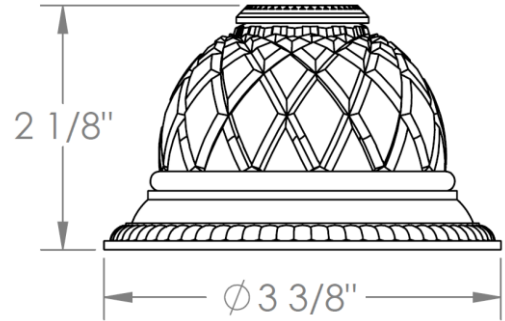


| MODEL NO. | LENGTH L (CTC) |
|-------------|----------------|
| 180-0.2-__ | 18" |
| 180-0.2A-__ | 24" |
| 180-0.2B-__ | 30" |

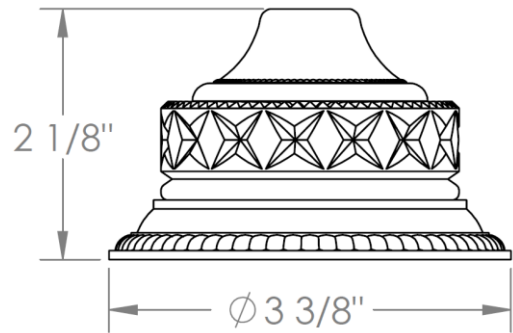


ESCUTCHEON TRIM OPTIONS

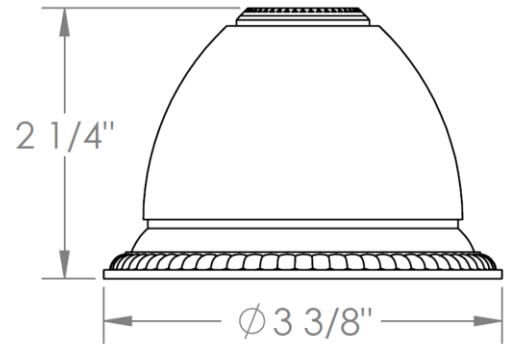
AA - VENICE



BB - GENOA



CC - POMPEI



DD - NAPLES

