

Installation Instructions

for Deck Mounted Kitchen Volume Control Spout with Side Spray



The 22-7.1.3-TICV and 22-7.1.3A-TICV will be used as an example in this manual.
Applicable for all 7.1.3 and 7.1.3A models.

IMPORTANT INFORMATION

Thank you for choosing Watermark! We appreciate your commitment to Watermark quality products. Before you install the product, please fully review these installation instructions.

Before installation, unpack the product and inspect it for any damage. Make sure all the parts are present. If not installing immediately, place the product back into its protective packaging.

The appearance of the product may be different than what is shown in this installation manual, but the installation procedure will be the same.

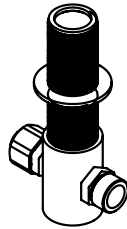
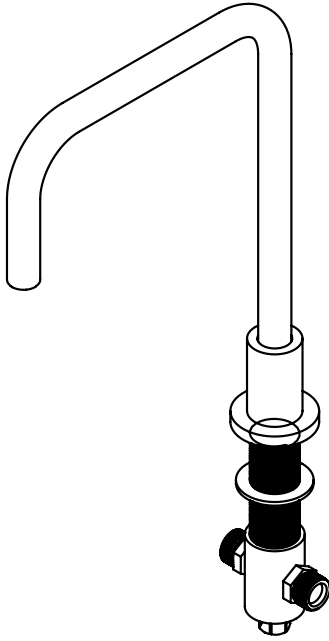
Installation considerations:

- Professional installation by a licensed plumber is strongly recommended.
- Product should be installed according to local codes and regulations.
- When installing:
 - Use Teflon tape or pipe sealant for threaded connections.
 - DO NOT use plumber's putty on any brass components. This may cause the finish to tarnish and void the warranty. Alkoxy silicone is recommended instead.
 - Flush the lines before and after installation (if applicable).
 - If the lines are sweated, do not overheat casting, which may damage mechanisms.
- Copper adaptors may be required to complete installation.

If you encounter any issues, please contact our technical support team at the number listed at the bottom of this page or email us at: technical@watermark-designs.com

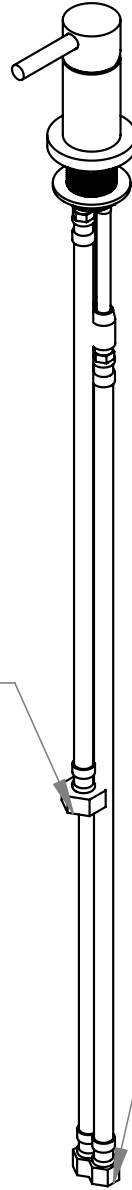
PARTS BREAKDOWN

Spout



Spout Nipple Assembly

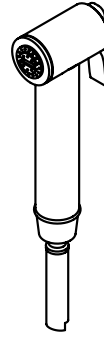
Handle Assembly



1x 1/2"
Female

2x 3/8"
Female

Side Spray



Side Spray Base

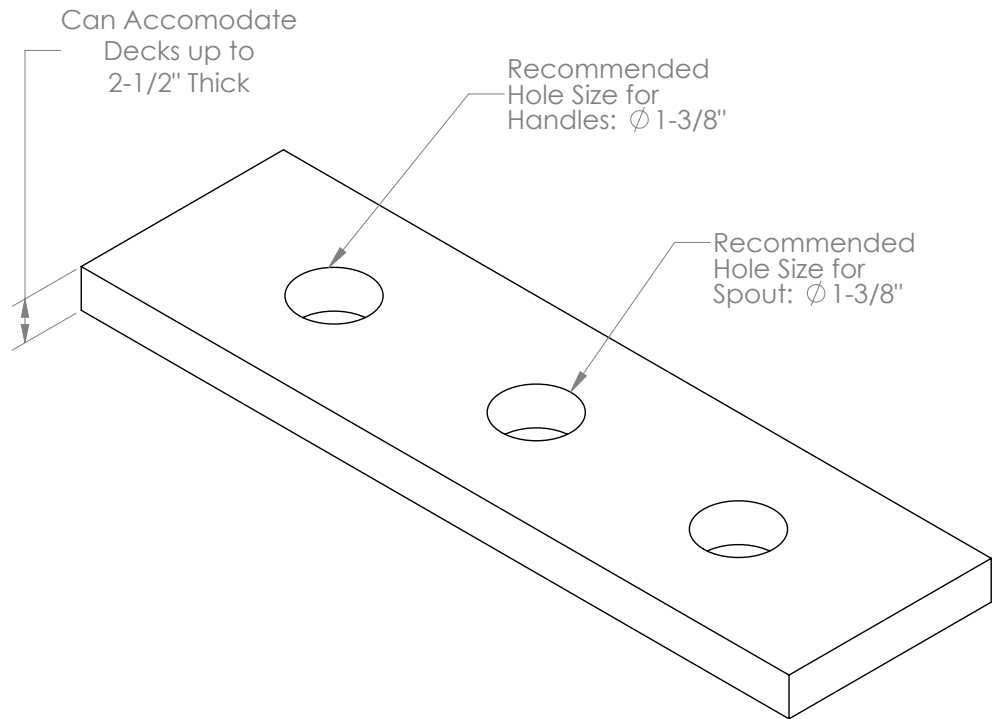
7.1.3A Models Only

You will need:

- 1 x Wrench

1. Prepare the mounting surface

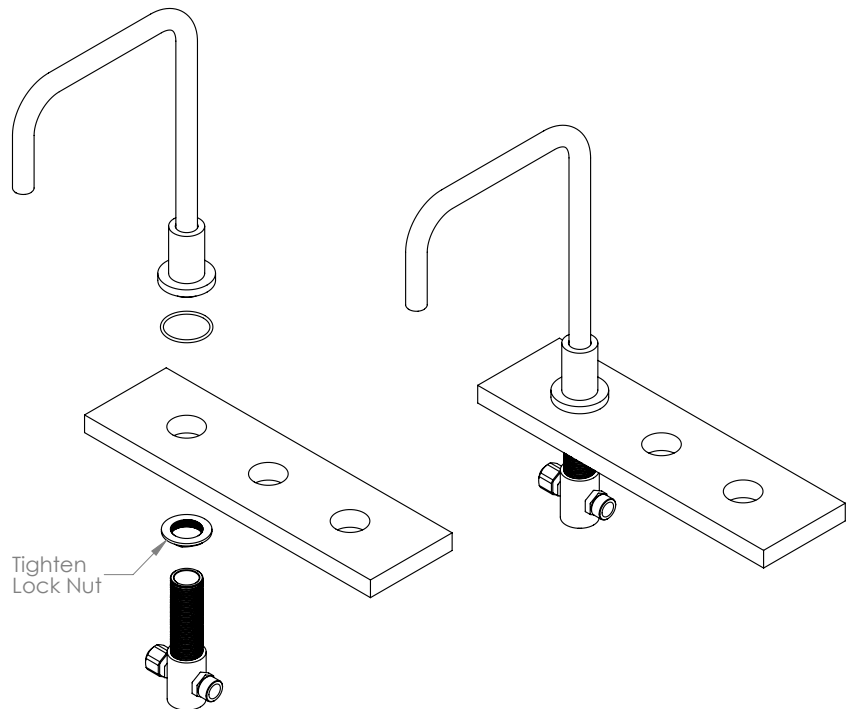
Make 3 holes following the requirements shown on the drawing.



2. Install the spout

Position the spout over the hole. Thread the lock nut onto the nipple, then insert the nipple into the bottom of the spout from beneath the mounting surface.

Thread the nipple onto the spout and tighten. Then tighten the lock nut against the underside of the mounting surface to secure the spout.

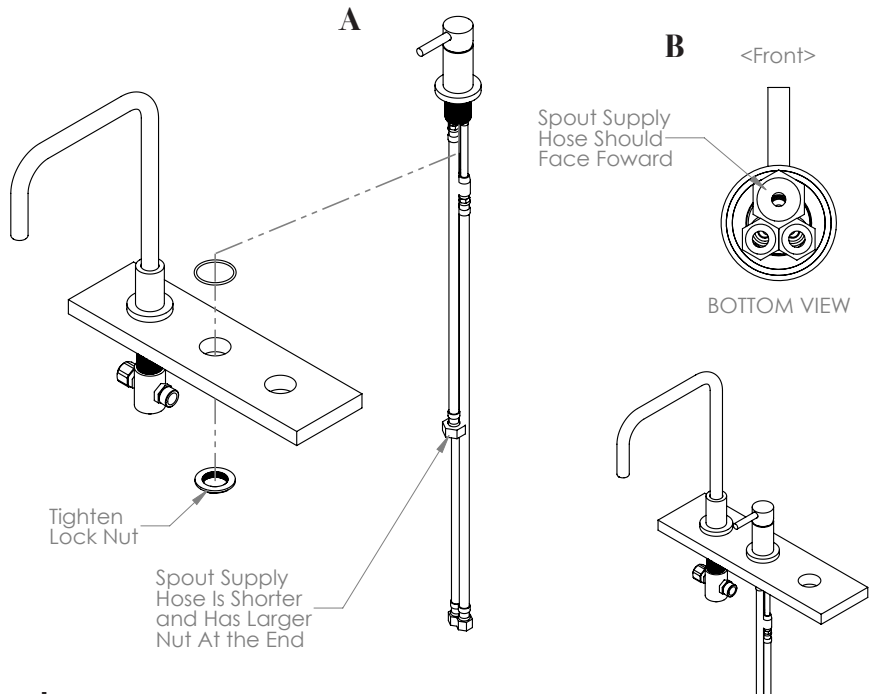


3. Install the handle and valve

[A] Insert the handle assembly through a hole in the mounting deck. Thread the lock nut onto the bottom of the handle, beneath the mounting surface.

[B] Align the handle. The spout supply hose, which is shorter and has a larger nut at the end when compared to the two other flex hoses, should be pointing towards the user.

Tighten the lock nut against the bottom of the mounting surface to secure the handle.



NOTE: Hose length shown is not to scale

4. Install the side spray and attach the hoses (7.1.3A Only)

[A] Insert the side spray base through a hole. Tighten the hex nut underneath the mounting surface to secure the base.

[B] Insert the hose end of the side spray into the base.

[C] Connect the spout supply hose to the side of the spout tee.

[D] Connect the hand spray hose to the bottom of the spout tee.

[E] Connect flex hoses to supply stops (not included with this product and sold separately)

