



Features

- Alcove installation
- 20" apron
- Vikrell material
- Left drain
- Tongue-and-groove walls with snap-together installation
- Some caulk required
- Corner shelves
- 3" drain-to-floor clearance for above-floor drain installation
- Aging in Place backerboards

Included Components

Product consists of:

- 71224106 60" x 32" Curve Wall Set w/Backer Boards
- 71121112 32" (813 mm) AFD Bath



Codes/Standards



- CSA B45.5/IAPMO Z124
- ASTM E162
- ASTM E662
- Greenguard UL 2818 - Gold
- HUD, UM Bulletin 73

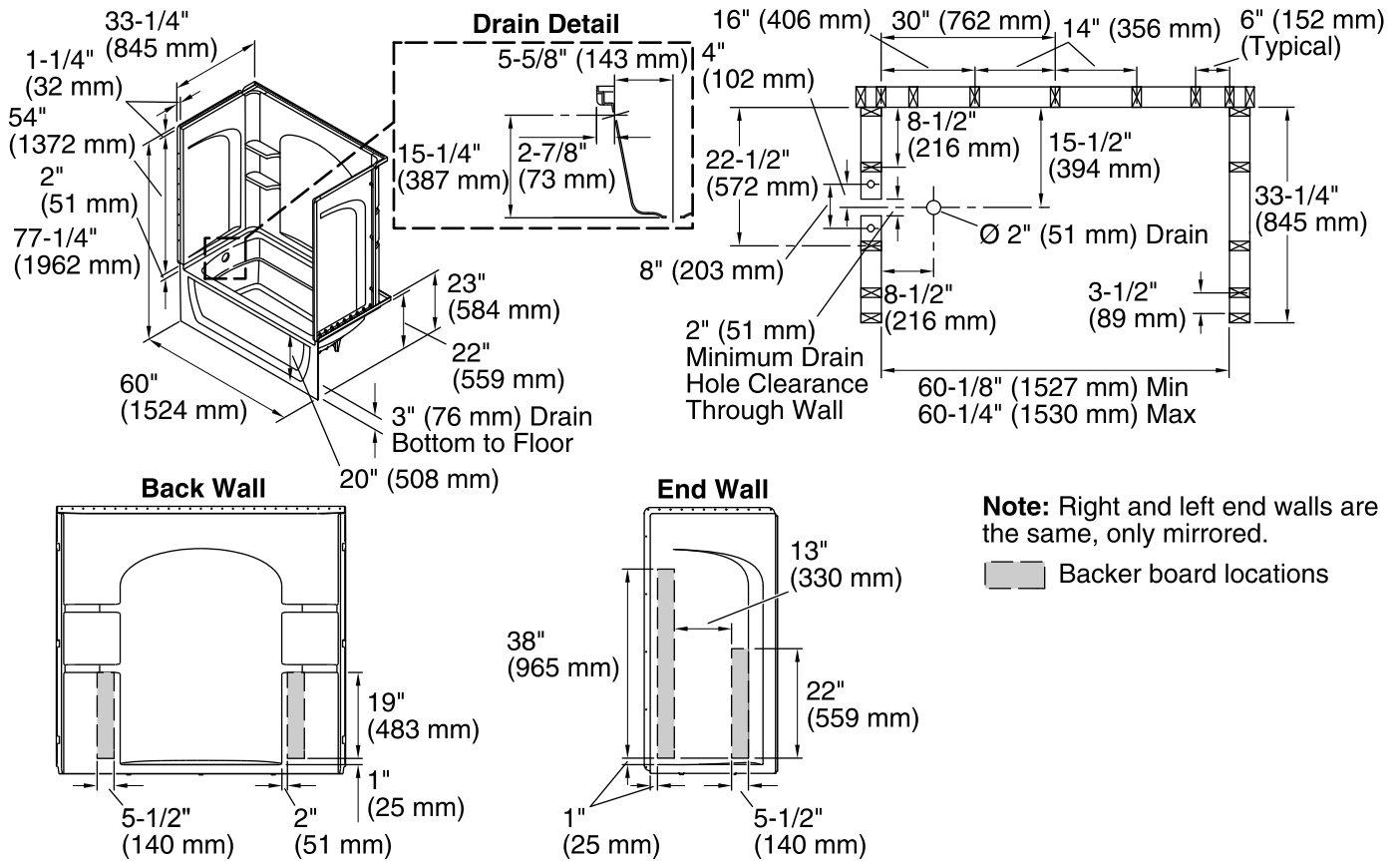
Warranty – Bathing Fixtures (and) Kitchen and Utility Sinks Made of Solid Vikrell® Material

See website for detailed warranty information.

Available Colors/Finishes

Color tiles intended for reference only.

Color	Code	Description
	0	White
	96	KOHLER Biscuit



Technical Information

All product dimensions are nominal.

Installation: Three-wall alcove

Drain location: Left

Basin area, bottom: 42" x 20" (1067 mm x 508 mm)

Basin area, top: 54" x 26" (1372 mm x 660 mm)

Water depth: 13" (330 mm)

Water capacity: 51 gal (193.1 L)

Minimum flat for door: 3" (76 mm)

Maximum door height: 55-1/2" (1410 mm)

Maximum door width: 57-11/16" (1465 mm)

Notes

Install this product according to the installation instructions.

Studs should be positioned roughly as shown.

Double studding is recommended for pivot shower door installations.

Attach grab bars at the specified backerboard locations only.