



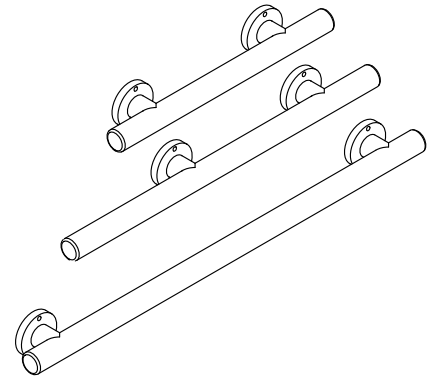
**Accord®**  
ADA Adaptable Grab Bar Kit  
**71147103**

**Features**

- Includes five stainless steel bars
- Kit contains 5 stainless steel grab bars.

**Recommended Products/Accessories**

500C-59 Framed Sliding Bath Door  
690B-59 Framed Sliding Bath Door  
5325EZ-57 Frameless Sliding Bath Door  
5425-57 Frameless Sliding Bath Door  
5425-59 Frameless Sliding Bath Door  
5905-59 Framed Sliding Bath Door  
5906-59 Framed Sliding Bath Door  
5907-59 Framed Sliding Bath Door  
542808-59 frameless sliding bath door  
572005-59 Framed Sliding Bath Door  
581005-59 frameless sliding bath door  
80001012 12" Grab Bar  
80001018 18" Grab Bar  
80001024 24" Grab Bar  
80011032 32" Grab Bar  
80001036 36" Grab Bar  
VA-80172 Window Trim Kit  
71147103 ADA Adaptable Grab Bar Kit  
71147104 30" Bath Seat Kit



**ADA**

**Codes/Standards**

ADA  
ICC/ANSI A117.1

**STERLING® Warranty - Grab Bars**

See website for detailed warranty information.

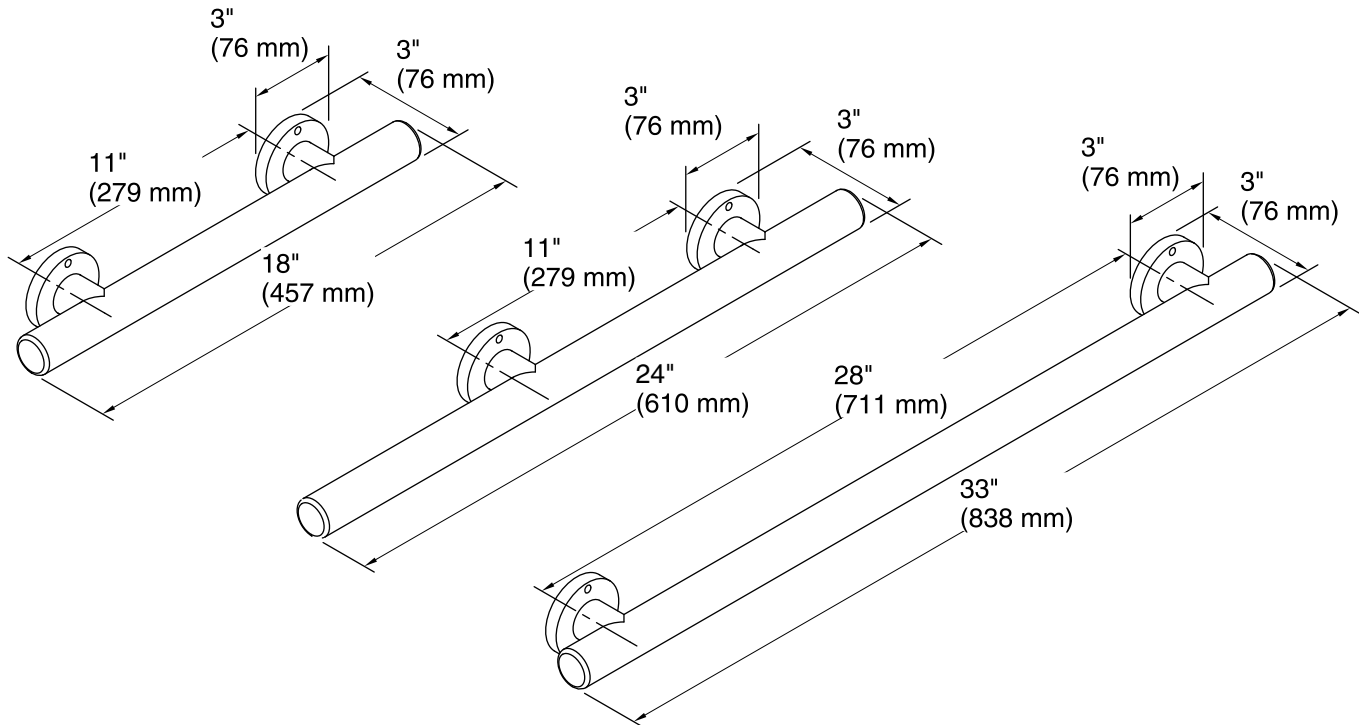
---

1-800-STERLING (1-800-783-7546)

Kohler Co. reserves the right to make revisions without notice to product specifications.

For the most current Specification Sheet, go to [www.sterlingplumbing.com](http://www.sterlingplumbing.com).

4-26-2019 00:23 - US/CA



**Technical Information**

All product dimensions are nominal.

**Notes**

Grab bars must be properly installed to adequately support the weight of the user. Obtain backer board locations from the specification sheet for your shower wall model. Use a stud finder to verify backer board locations before installation. ADA compliant when installed to the specific requirements of these regulations.