

Features

- Frameless design emphasizes glass and creates a sleek, minimalist look.
- Reversible top track offers a choice of curved or flat profile.
- Frameless, 1/4" (6 mm) thick Clear tempered glass.
- Tempered glass ensures enhanced safety and durability.
- CleanCoat®+ glass coating creates a hydrophobic barrier that repels water, soap scum, and residue, saving time and protecting shower doors 10 times longer than original CleanCoat. (Based on 2021 internal wear/abrasion testing using a microfiber cloth.)
- Interior and exterior towel bars complete the look of this door.
- Center-guided mechanism for smooth, quiet sliding action and easy cleaning.

Material

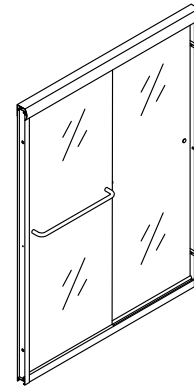
- Anodized aluminum prevents rust and corrosion.

Installation

- Fits opening widths 42-5/8" - 47-5/8" (1083 - 1210 mm).
- 65-1/2" (1664 mm) high, with 62-13/16" (1595 mm) minimum head clearance.
- 3/8" (10-mm) out-of-plumb adjustability on each side simplifies installation.
- Door can be installed to open to the left or right to suit your bathroom layout.
- For residential use only.
- Not for use in hospitality.

Included Components

Additional Components:
Hardware kit



Codes/Standards

ANSI Z97.1
CPSC 16CFR 1201

STERLING® One-Year Limited Warranty

See website for detailed warranty information.

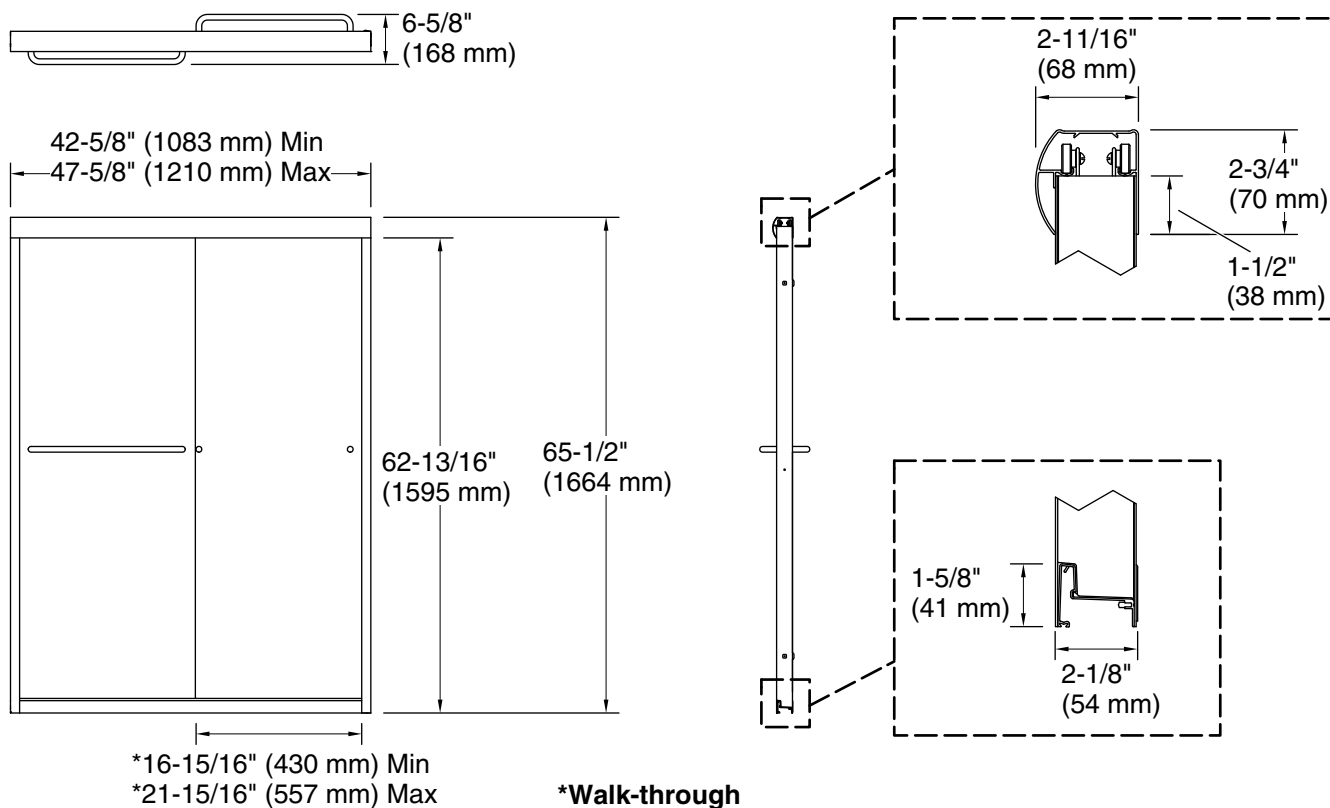
Available Colors/Finishes

Color tiles intended for reference only.

Color	Code	Description
	ADR	
	N	
	S	
	BL	

Available Glass Options

Code	Description
G05	Clear



Technical Information

All product dimensions are nominal.

Installation type: For shower base installation

Opening Width - 42-5/8" (1083 mm)
Min:

Opening Width - 47-5/8" (1210 mm)
Max:

Walk-through - Min: 16-15/16" (430 mm)

Walk-through - Max: 21-15/16" (557 mm)

Base-To-Wall 1/2" (13 mm)

Radius - Max:

Glass thickness: 1/4" (6 mm)

Glass coating: CleanCoat+

Notes

The vertical opening should be a minimum of 68-1/4" (1734 mm) to allow for installation clearance.