



GEORGIAN ERA EXPOSED FLOOR MOUNTED BATHTUB FILLER WITH HANDSHOWER AND CROSS HANDLES

ROHL Perrin & Rowe® Bath

U.3013X/1

FEATURES

- Fixed spout
- Spout, valve housing, and handles made from solid brass
- 1/4-turn ceramic disc valves
- Unique handles fixing clip, engineered to increase the life of the valve
- 3/4" connections
- 19GPM at 40 PSI
- 1/2" female NPT connections

Kit Includes:

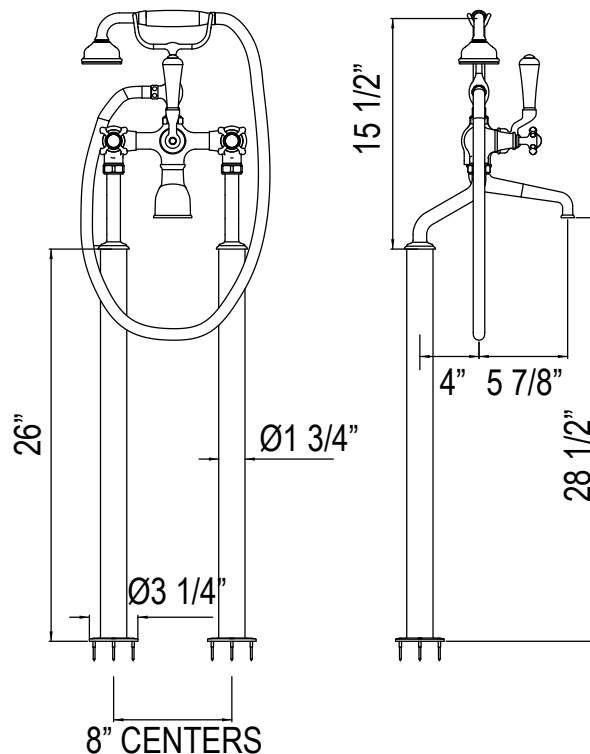
- U.3019X Tub/Shower Filler
- U.5380LS Handshower/Cradle
- U.6388 Pillar Unions/Floor Legs (set)

COLORS/FINISHES

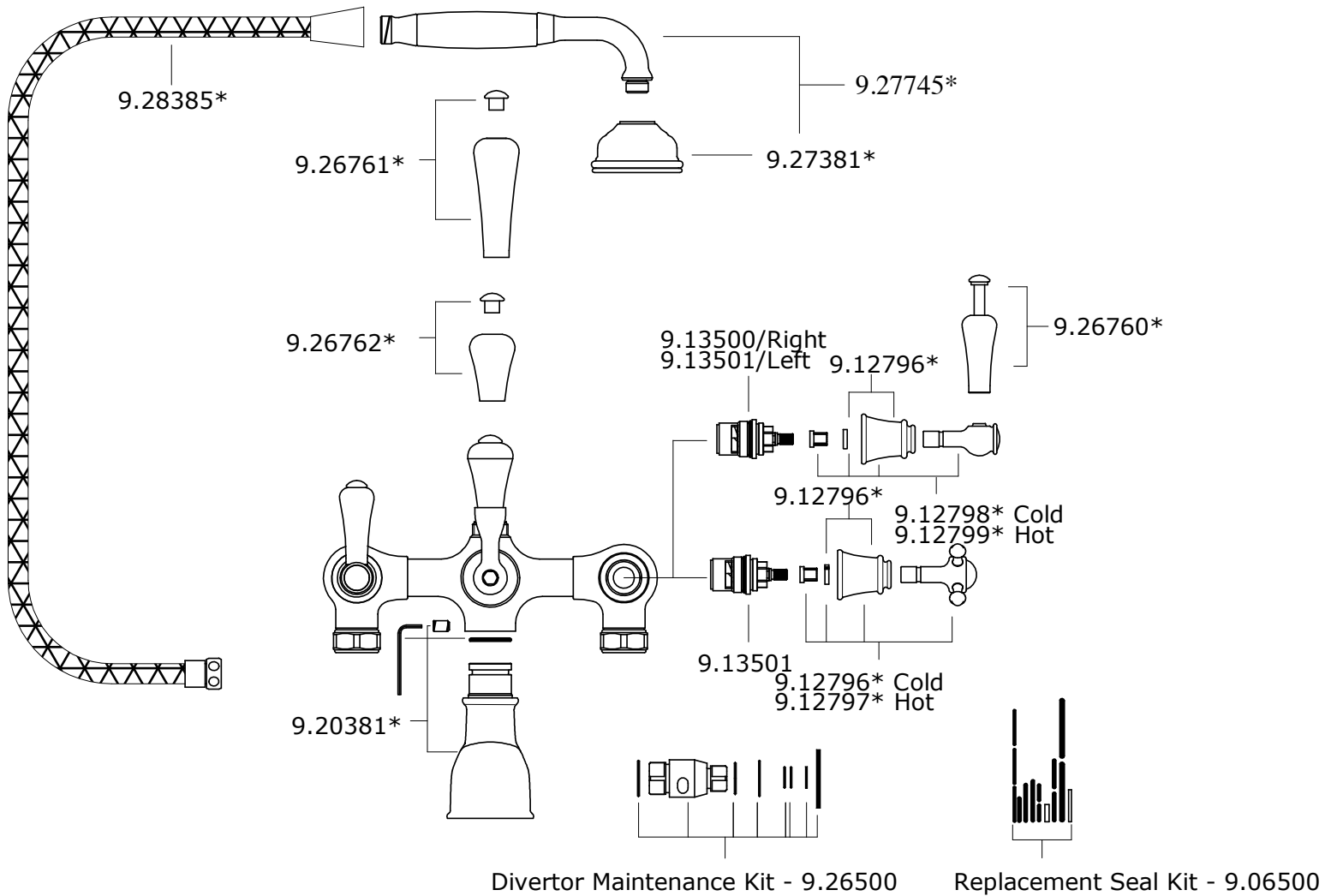
- Polished Chrome
- Polished Nickel
- Satin Nickel
- Inca Brass
- English Bronze

WARRANTY

- Limited Lifetime



Spare Parts



Installation Instructions

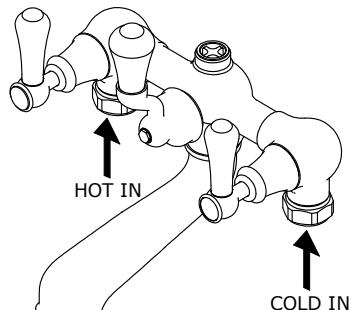


The Georgian Bathroom Collection

Installation & User Guide

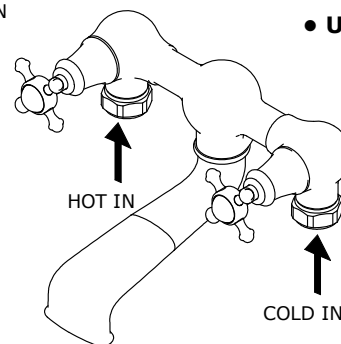
TUB/ SHOWER MIXER BODY

- U.3018L
- U.3019X



TUB MIXER BODY

- U.3021L
- U.3022X



Max Temp : 85°C/185°F

Recommended Working Pressure:
Min 1bar/15psi
Max 5bar/75psi

Ideal performance obtained with equal hot & cold pressures.

For installation with

**U6387
U6386
U6380
U6381**

Installation Instructions

The Georgian Bathroom Collection Installation & User Guide

Congratulations on the purchase of your Perrin & Rowe Bathroom Product. Correctly installed and with sensible care, this product will give you many years of trouble free service.

IMPORTANT INFORMATION

Before you proceed... We recommend you engage the services of a registered plumber to install this product.

For ease of possible future servicing, we also recommend the fitting of conveniently placed isolating valves.

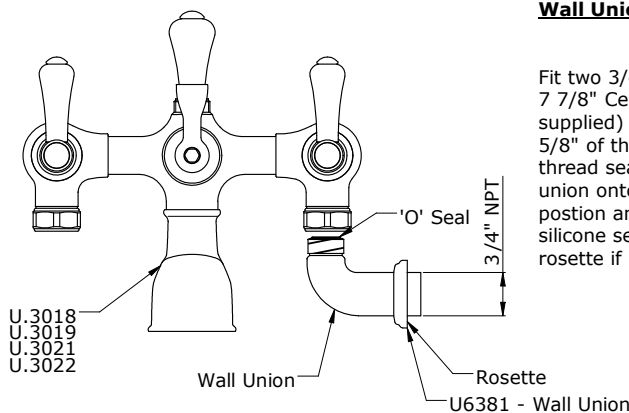
In addition to the guide below it is essential that the written information overleaf is carefully read and understood.

Preparation Check Box for Installer

Flush the plumbing system before installing the bathroom product.

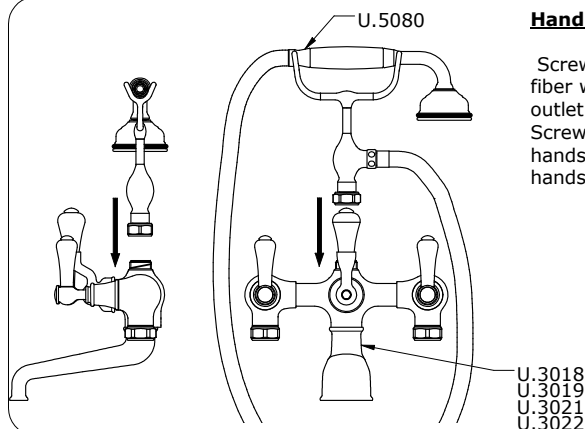
Once unpacked remove large & small base seals, rosette, hood & lever, securing nut, clamp plate, pop-up and top waste ready for installation.

Wall Unions



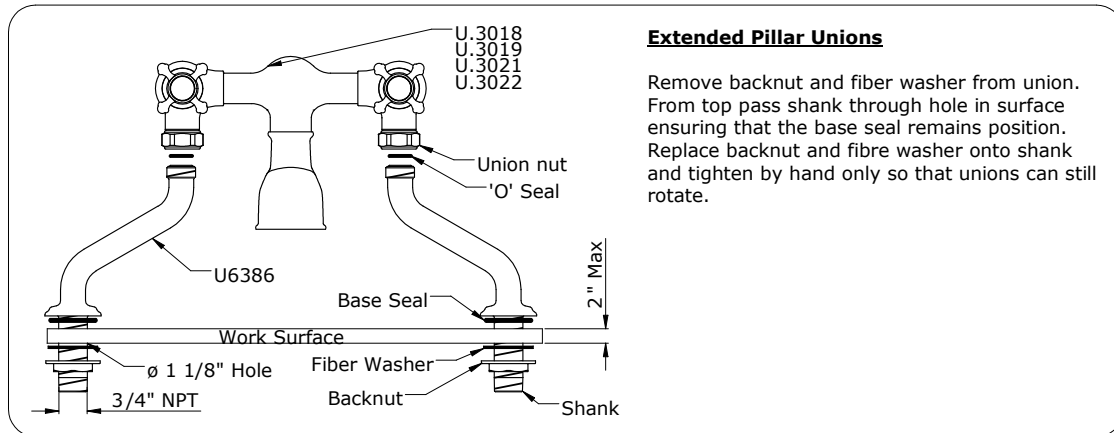
Fit two 3/4" NPT female fittings into the wall at 7 7/8" Centers. Fit a 3/4" NPT male shank (not supplied) into the fitting so that no more than 5/8" of thread is protruding from the wall. Apply thread sealing material to shank and screw union onto shank. Turn union to required position and slide rosette up to wall surface. A silicone seal can be applied between the wall rosette if required.

Hand Shower and Cradle



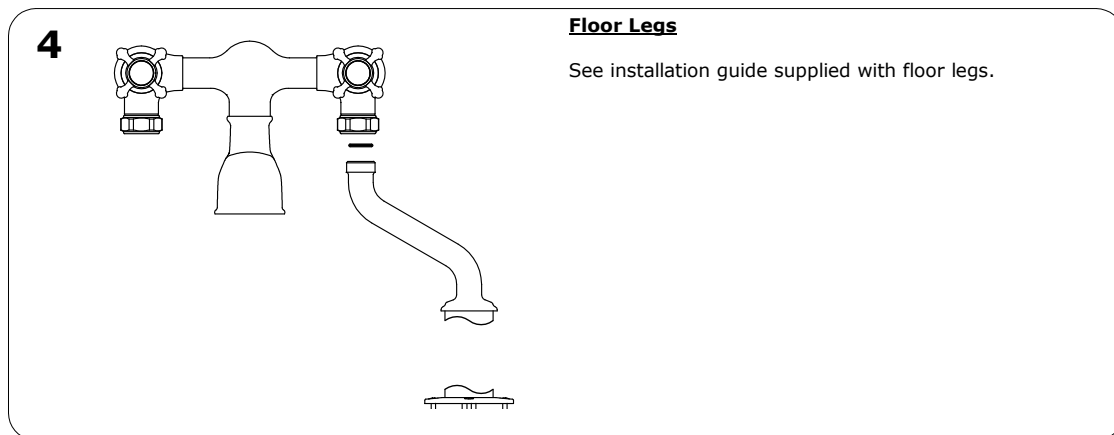
Screw cradle nut fully onto the mixer body, ensuring that the fiber washer is in position between the cradle and body. The outlet for the handshower can be positioned facing left or right. Screw tapered end of the handshower hose onto the handshower and screw the nut end onto the cradle. Place the handshower onto the cradle.

Installation Instructions



Extended Pillar Unions

Remove backnut and fiber washer from union. From top pass shank through hole in surface ensuring that the base seal remains position. Replace backnut and fibre washer onto shank and tighten by hand only so that unions can still rotate.



Floor Legs

See installation guide supplied with floor legs.

BEFORE USE

- Carefully check the installation for leaks.
- If further building work is to be carried out in the vicinity, cover the product with a plastic bag to avoid damaging the finish.
- Please ensure that the installation complies with local plumbing codes.

CARE & MAINTENANCE

Wipe down after use to avoid water spotting and mineral build up.

Occasional cleaning with warm soapy water, followed by a polish with a soft cloth is all that is required to keep the plated finish in good condition.

Do not use proprietary abrasive liquids, powders, or pads to clean the shower. Do not use any products with ammonia bleach or limescale remover. You will damage the plated finish and void your guarantee.

Installation Instructions

ROHL WARRANTY POLICY

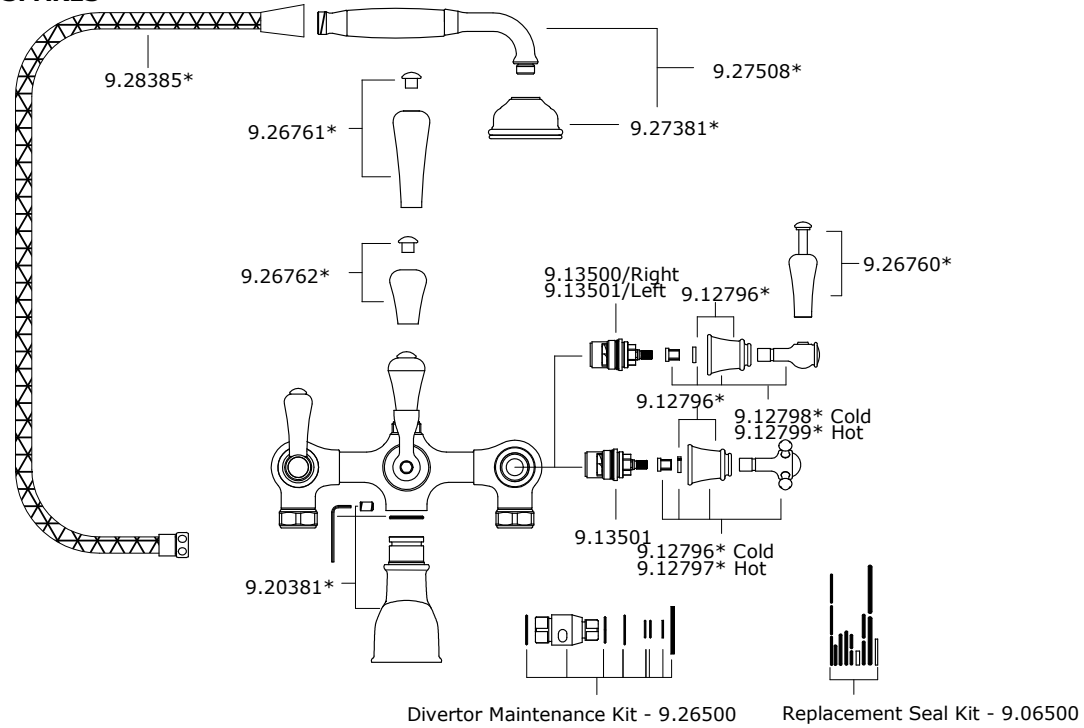
All products supplied by ROHL carry warranties against manufacturing defects.

Perrin & Rowe products carry a Limited Lifetime Warranty.

ROHL LLC will provide free of charge, as its options, replacement part(s) or product (or a comparable alternative product) to replace those which have proven defective in materials or workmanship.

For full ROHL LLC WARRANTY please contact ROHL or visit www.rohlhome.com

SPARES



* Where indicated please specify color

SPARE PARTS & SERVICE



Authentic Luxury for Kitchen and Bath®
 3 Parker
 Irvine
 CA 92618
 (714) 557-1933

www.rohlhome.com

Perrin & Rowe products are manufactured in the UK, using the latest technology and built to the highest quality standards.

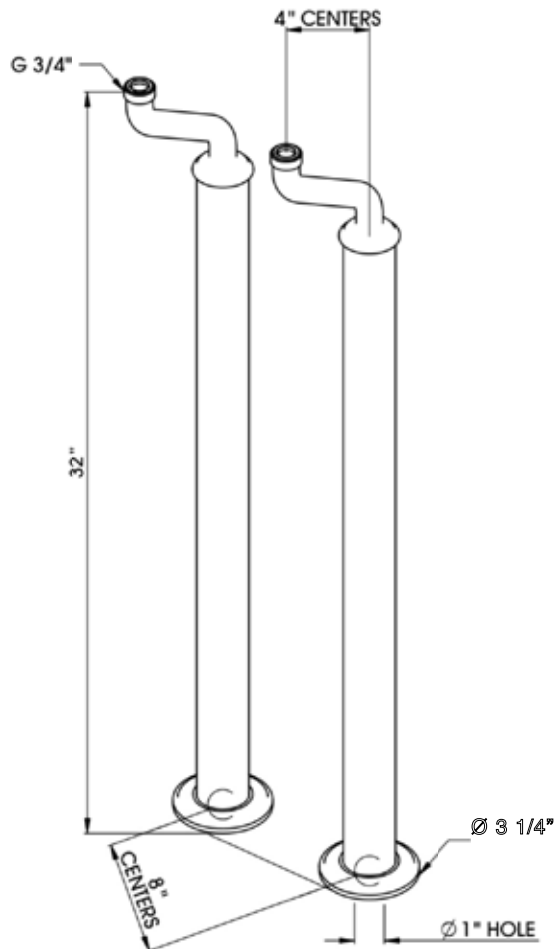
We would like to thank you for purchasing a Perrin & Rowe product and take this opportunity to invite you to look at other luxury products by us. Please contact us to receive our latest catalogue.

Installation Instructions



Floor Legs For Tub/Shower Mixer

Floor Legs - U.6388

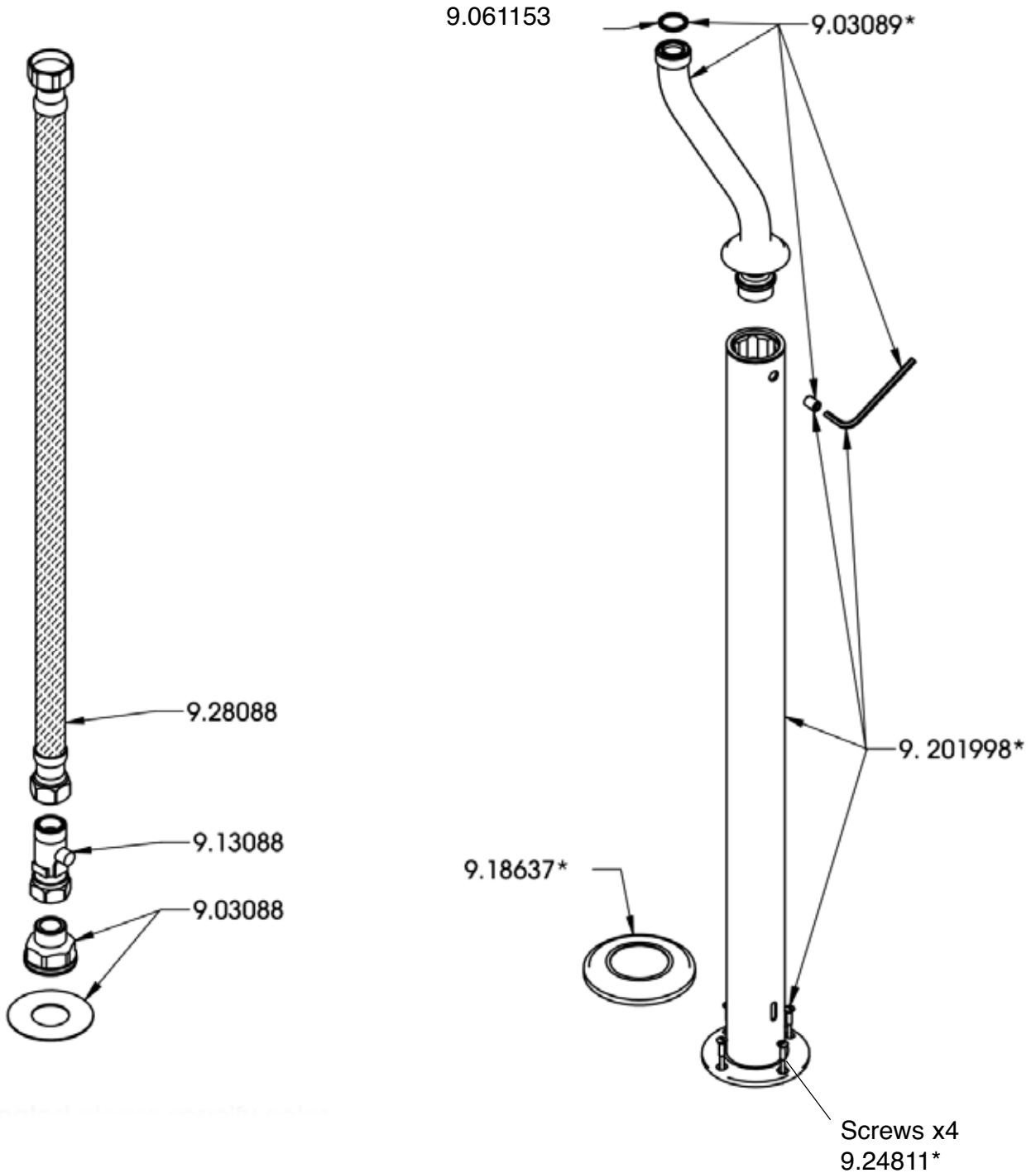


Temp Range:
Min 1°C/34°F
Max 85°C/185°F

Recommended Working Pressure:
Min 1bar/15psi
Max 5bar/75psi

Ideal performance obtained with equal hot & cold pressures.

Installation Instructions



Installation Instructions

The Bathroom Collection Installation & User Guide

Congratulations on the purchase of your Perrin & Rowe Product. Correctly installed and with sensible care, this product will give you many years of trouble free service.

IMPORTANT INFORMATION

Before you proceed... We recommend you engage the services of a registered plumber to install this product.

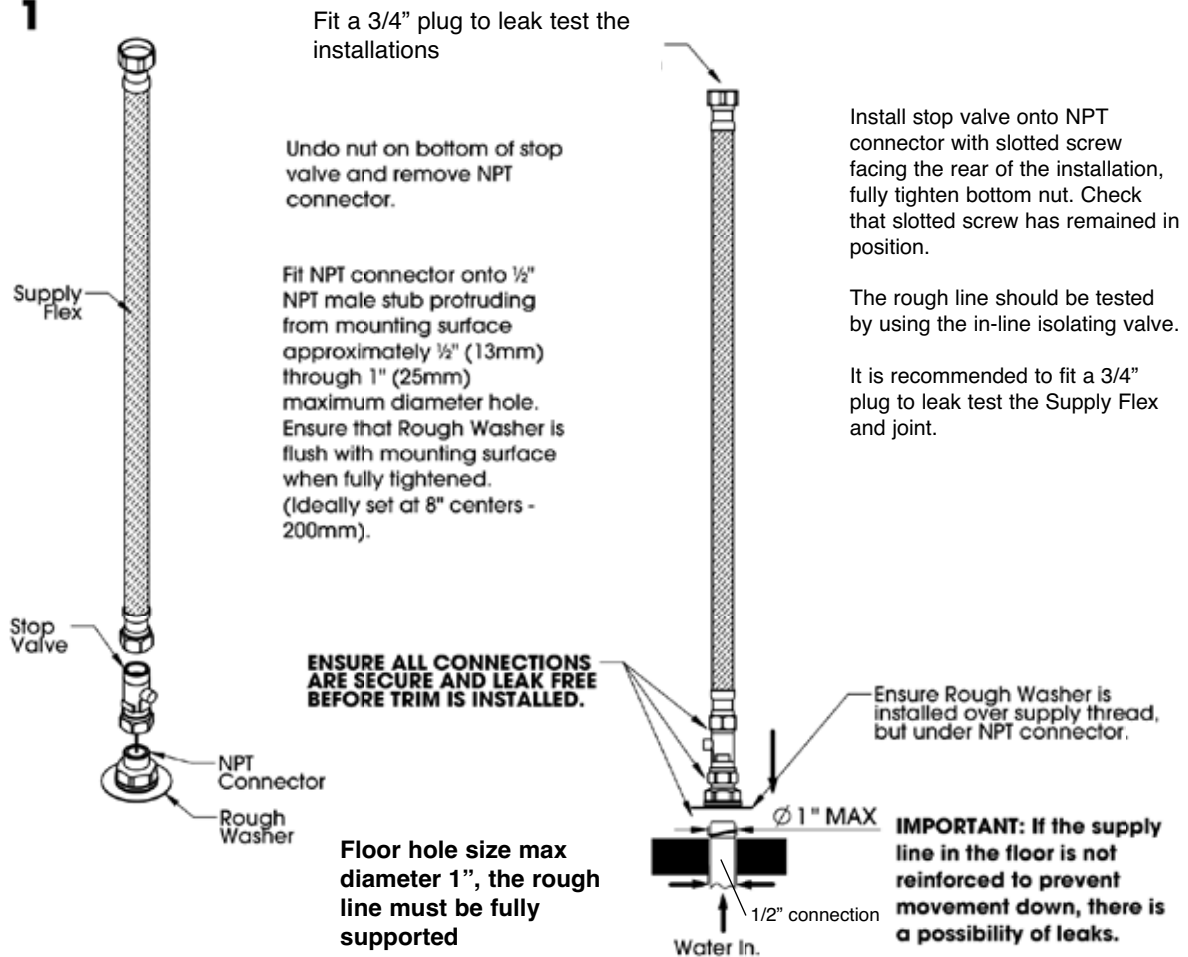
For ease of possible future servicing, we also recommend the fitting of conveniently placed isolating valves.

In addition to the guide below it is essential that the written information overleaf is carefully read and understood.

Preparation Check Box for Installer

- Flush the plumbing system before installing the Bathroom product. The hot supply should be on the left when viewed from the front of the fitting. Ensure the mounting surface is level.

1



Fit a 3/4" plug to leak test the installations

Undo nut on bottom of stop valve and remove NPT connector.

Fit NPT connector onto 1/2" NPT male stub protruding from mounting surface approximately 1/2" (13mm) through 1" (25mm) maximum diameter hole. Ensure that Rough Washer is flush with mounting surface when fully tightened. (Ideally set at 8" centers - 200mm).

Install stop valve onto NPT connector with slotted screw facing the rear of the installation, fully tighten bottom nut. Check that slotted screw has remained in position.

The rough line should be tested by using the in-line isolating valve.

It is recommended to fit a 3/4" plug to leak test the Supply Flex and joint.

ENSURE ALL CONNECTIONS ARE SECURE AND LEAK FREE BEFORE TRIM IS INSTALLED.

Ensure Rough Washer is installed over supply thread, but under NPT connector.

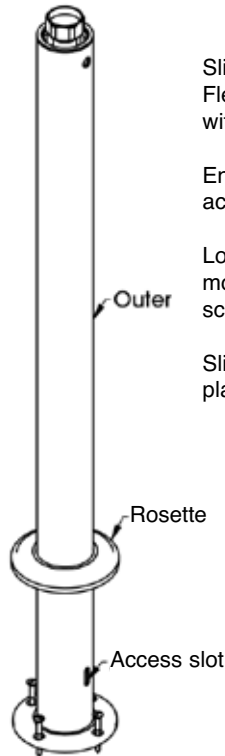
IMPORTANT: If the supply line in the floor is not reinforced to prevent movement down, there is a possibility of leaks.

Labels: Supply Flex, Stop Valve, NPT Connector, Rough Washer, Water In., 1/2" connection, Ø 1" MAX

Floor hole size max diameter 1", the rough line must be fully supported

Installation Instructions

2

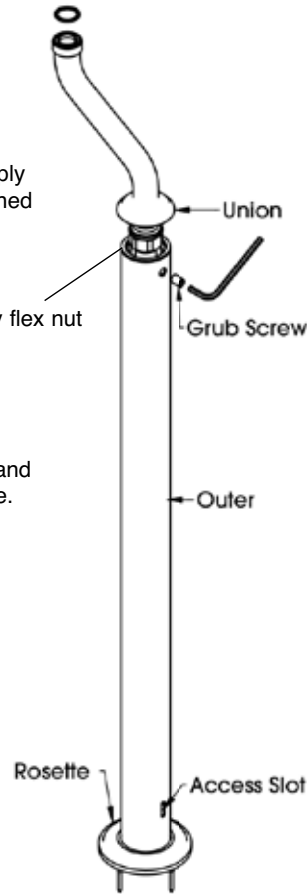


Slide outer tube over the Supply Flex with the Access Slot aligned with stop valve screw.

Ensure the top nut remains accessible

Loosely fit the outer tube to mounting surface with 4 fixing screws.

Slide rosette over outer tube and place on top of floor leg flange.



Holding the nut on supply flex, thread on the union. Avoid twisting supply flex.

The mixer can now be fitted using the installation instructions supplied.

Fully secure assembly to mounting surface.

Lock unions in position with the grub screw in the inside of the outer tube using the hexagon key supplied.

BEFORE USE

- Carefully check the installation for leaks, internal leaks will be noticeable through the Access Slot.
- If further building work is to be carried out in the vicinity, cover the tap to avoid damaging the finish.
- Please ensure that the installation complies with local plumbing codes.

CARE & MAINTENANCE

Wipe down after use to avoid water spotting and mineral build up.

Occasional cleaning with warm soapy water, followed by a polish with a soft cloth is all that is required to keep the plated finish in good condition.

Do not use proprietary abrasive liquids, powders, or pads to clean the shower. Do not use any products with ammonia bleach or limescale remover. You will damage the plated finish and void your guarantee.