

BUILDER SERIES



72-INCH WIDE MODEL

HGG-490 (Self-Rimming)

Unit Dimensions

72" wide x 42" deep x 22" high (23-1/4" w. neck rest)

Unit Features

- Sanitary Grade Polyester Gelcoat Surface
- 2" Dia. Side Drain (see reverse side for location)
- 2-1/2" Dia. Overflow (see reverse side for location)
- Twin, Contoured Armrests (at each end)
- Contoured Neck Rest (at each end)
- Pre-Leveled Block Base System
- Textured Floor Pattern

Special Notes

- Whirlpool System Available (see reverse side for details)
- UL Listed Whirlpool vSystems

Unit / System Order Number

Gelcoat: HGG-490 / OND (soaking tub)
HGG-490 / CWS (Carress System)

System Trim

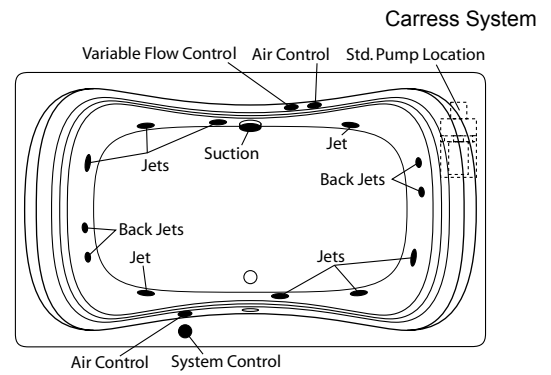
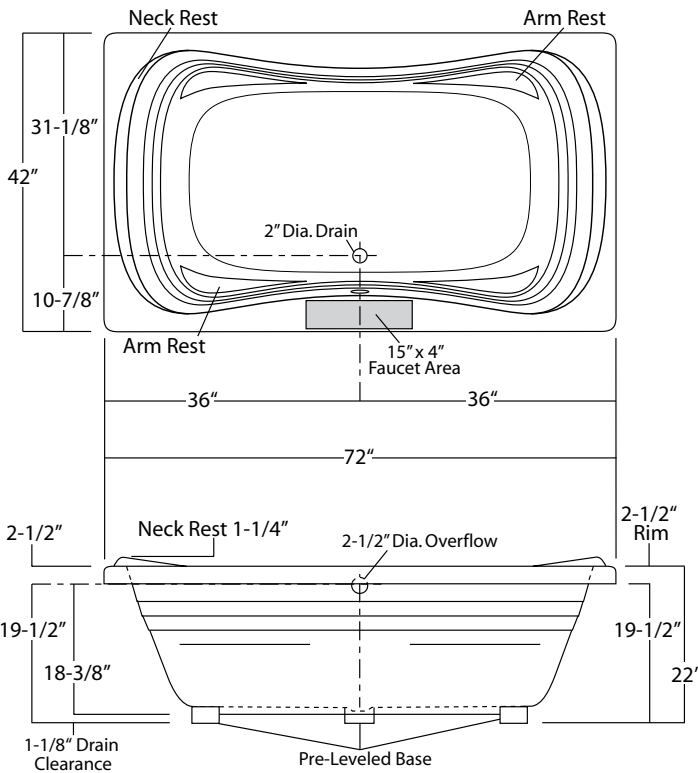
Standard CWS Trim (order code): White trim on White unit (WHT) - Bone trim on Bone unit (BON) - Biscuit trim on Biscuit unit (BSC)

Order Number / Description

CWS: *Carress System* includes: 6-Adjustable side jets, 2-rotating foot jets, 4-micro pulse back jets, variable flow control, twin air controls, electronic system control, and a 13.5 amp pump/motor.

Notes (1*) Factory installed options
(2*) Includes system control upgrade

Options: In-Line Heater (1*)	(order: ILH)
Ozone Generator (1*)	(order: OZG)
Chromatherapy Pkg (1*, 2*)	(order: CLT)
Water Level Sensor (1*, 2*)	(order: LWV)
Trim Upgrade (1*)	
Chrome	(order: CWS-CHR)
Brushed (Satin) Nickel	(order: CWS-SNK)



HGG-490
 Sump Dimen: 57-1/2" long x 30" wide x 20-1/2" deep
 Sump Capacity: 105 gal. (unoccupied - to overflow)
 Whirlpool Operating: 54 gal.

Photographic images may include optional components and appear different than actual product.
 Dimensions shown are maximum. Due to the nature of the materials involved, actual unit dimensions can vary (tolerances: +0 / -3/8 inch).
 Oasis reserves the right to modify or discontinue product and/or associated equipment without prior written or verbal notification or obligation.