
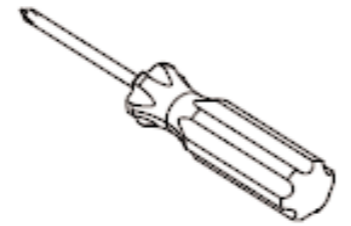

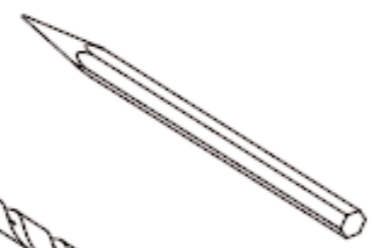

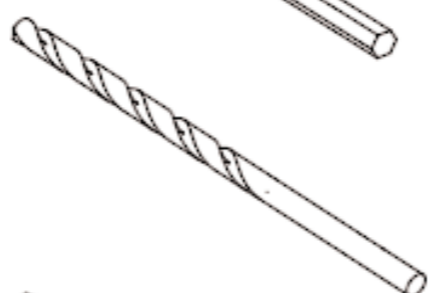

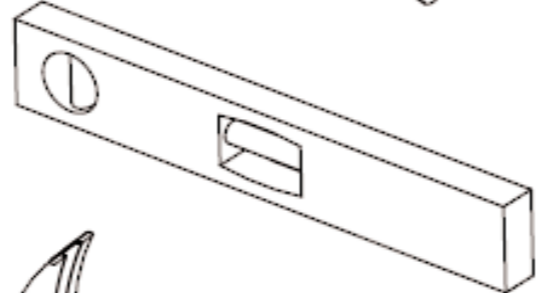

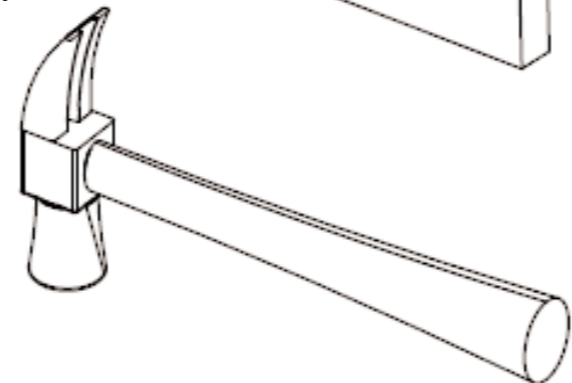
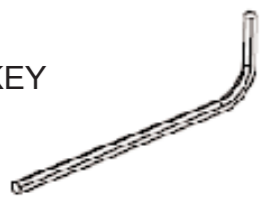



| ITEMS INCLUDED    |   | TOOLS REQUIRED        |  |
|-------------------|---|-----------------------|--|
| DRY WALL ANCHOR   |  X 2   | PHILLIPS SCREW DRIVER |    |
| TILE ANCHOR       |  X 2   | PEN / PENCIL          |    |
| #8 SCREW          |  X 2   | 1/4"(6 mm) DRILL      |   |
| MOUNTING BRACKET  |  X 1  | LEVEL SET             |  |
| M6 X 6 SET SCREW  |  X 1 | HAMMER                |  |
| 3 MM HEX KEY      |  X 1 |                       |  |
| HANGING TT HOLDER |  X 1 |                       |  |

## INSTALLATION INSTRUCTIONS

3270-1510

### HANGING TT HOLDER

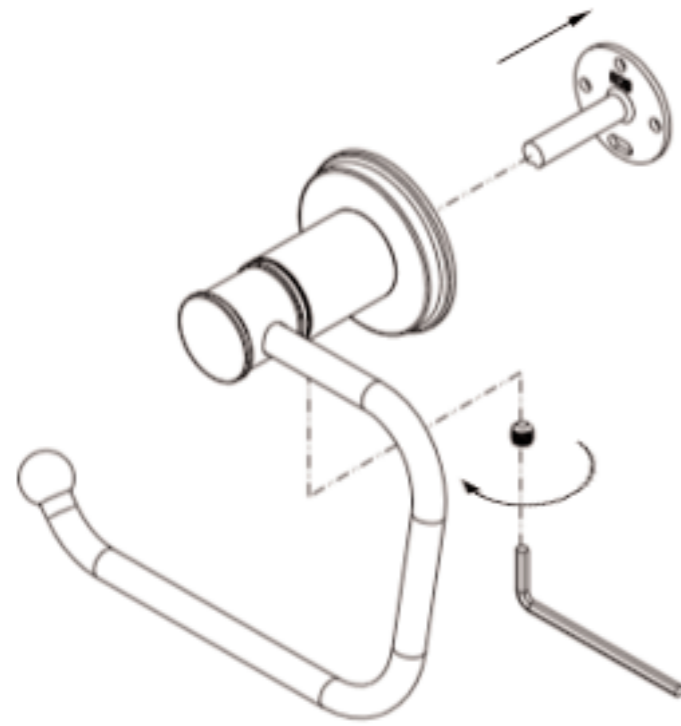


2001 CARNEGIE AVE, SANTA ANA CA 92705

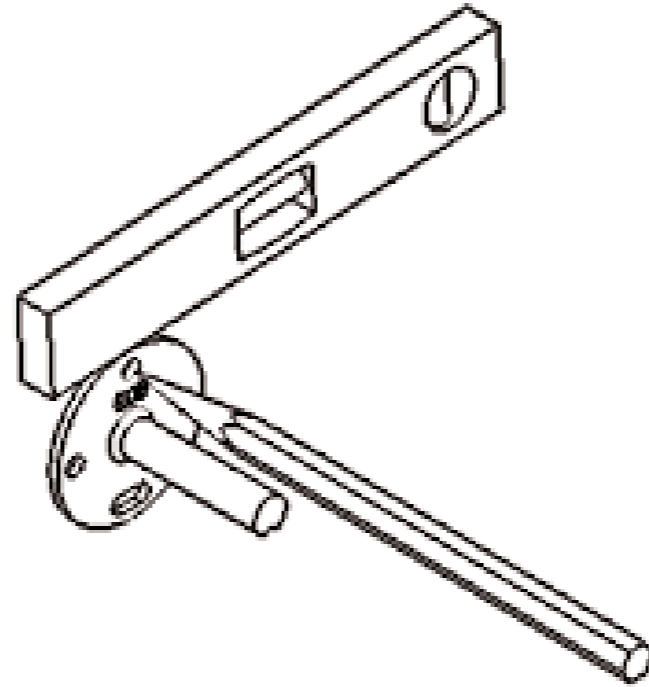
(949) 417-5207

WWW.NEWPORTBRASS.COM

① REMOVE MOUNTING BRACKET



② ALIGN MOUNTING BRACKET AND MARK LOCATION



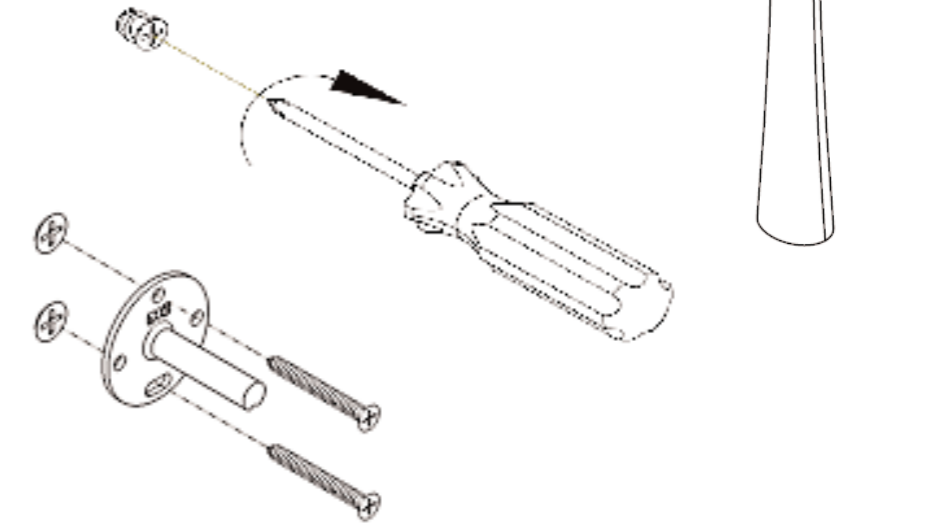
③ DRY WALL INSTALLATION

DO NOT DRILL



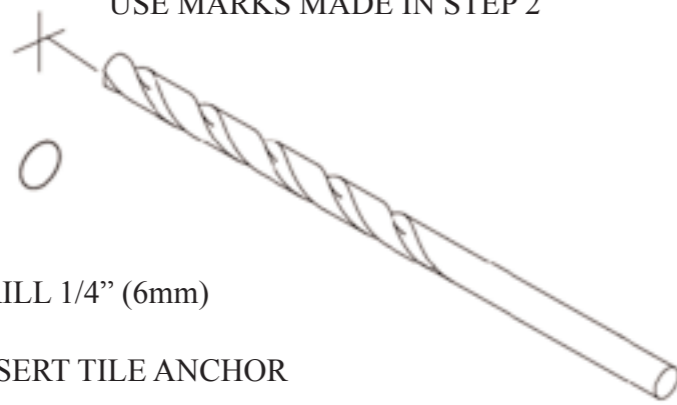
USE MARKS  
MADE IN STEP 2

TAP IN UNTIL  
THREADS ARE  
REACHED



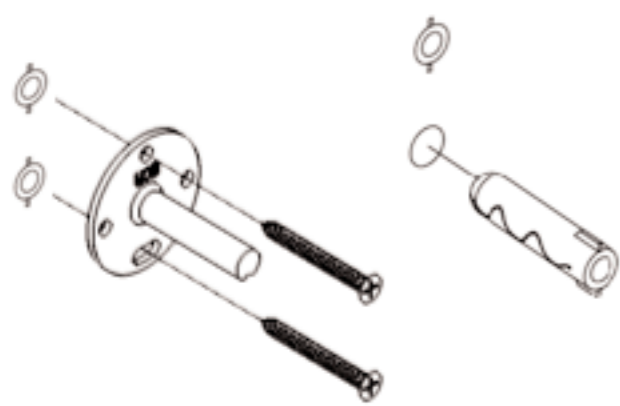
④ TILE OR SOLID WALL INSTALLATION

USE MARKS MADE IN STEP 2

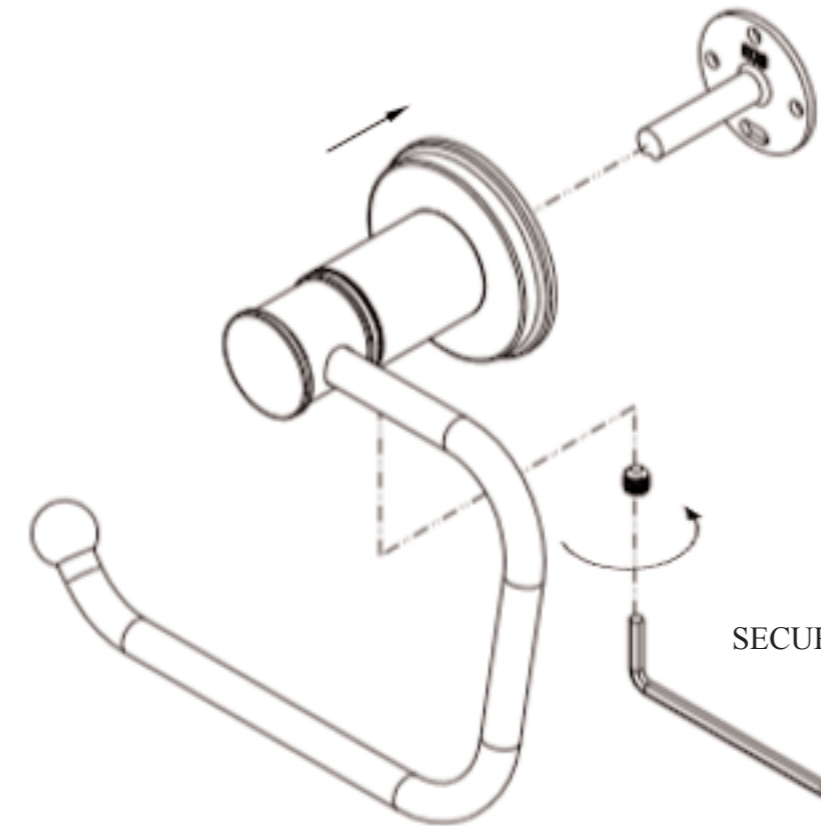


DRILL 1/4" (6mm)

INSERT TILE ANCHOR



⑤ INSTALL PRODUCT ONTO BRACKET



SECURE WITH SET SCREW