

Butler Package®

BUTLER PACKAGE 1

For models MS 90E to MS SUPER 3E

BOX CONTENT

- iTempoPlus® Control
- AromaSteam Steamhead
- AutoFlush®
- SteamLinx™
- Condensation Pan



BUTLER PACKAGE 2

For models MS SUPER 4E to MS SUPER 6E

BOX CONTENT

Same as Butler Package with an additional Steamhead, AutoFlush, and Condensation Pan.



NOTE: When ordered with the Linear Steamhead, standard- Steamhead(s) are replaced with 104216 Linear Steamhead(s)

FOR ILLUSTRATIVE PURPOSES ONLY. IMPORTANT NOTE: FOR SAFE AND TROUBLE FREE INSTALLATION visit mrsteam.com before installation to download the Installation, Operation and Maintenance Manual or refer to the manual provided with the unit.

MODEL	SHAPE	FINISH	PROJECT INFORMATION
<input type="checkbox"/> MS BUTLER 1	<input type="checkbox"/> RD Round	<input type="checkbox"/> PC - Polished Chrome	Location:
<input type="checkbox"/> MS BUTLER 2	<input type="checkbox"/> SQ Square	<input type="checkbox"/> BN - Brushed Nickel	Architect:
		<input type="checkbox"/> PN - Polished Nickel	Engineer:
		<input type="checkbox"/> ORB - Oil Rubbed Bronze	Contractor:
		<input type="checkbox"/> BB - Brushed Bronze	Submitted By:
		<input type="checkbox"/> PB - Polished Brass	Date:
		<input type="checkbox"/> SB - Satin Brass	
		<input type="checkbox"/> BK - Black Fascia	
		<input type="checkbox"/> WH - White Fascia	
		<input type="checkbox"/> MB - Matte Black	
		<input type="checkbox"/> RAW - Custom Plating	
OPTIONS: <input type="checkbox"/> Linear Steamhead			
Notes:			

iTempoPlus® Controls

iTempoPlus controls flush mount in the steam/shower enclosure through a 2 5/8" wide x 3 7/8" high hole. iTempo controls can also be surface mounted.

BOX CONTENTS:

- iTempoPlus
- Steamhead
- Control Cable (30 ft.)
- Tube of Silicone Sealant
- Owner's Manual

iTempoPlus Controls Feature:

- Solid brass decorative cover with choice of square or round styles in designer finishes
- Digital display
- Programmable temperature
- AromaSteam Steamhead in matching finish and shape
- Compatibility with SteamLinx
- Soft touch keypad
- Low voltage operation
- Programmable steam bath duration
- Clock
- ON/OFF control for AromaSteam and Chroma72
- Two programmable presets

The iTempoPlus controls are designed to be installed inside or outside the steam room but is primarily installed inside the steam room. If the control is installed inside the steam room the control must be located:

- 4-5 feet above the floor
- in a location representative of the desired steam bathing temperatures. Do not locate the control above or near the Steamhead or direct steam emissions.
- on a vertical wall

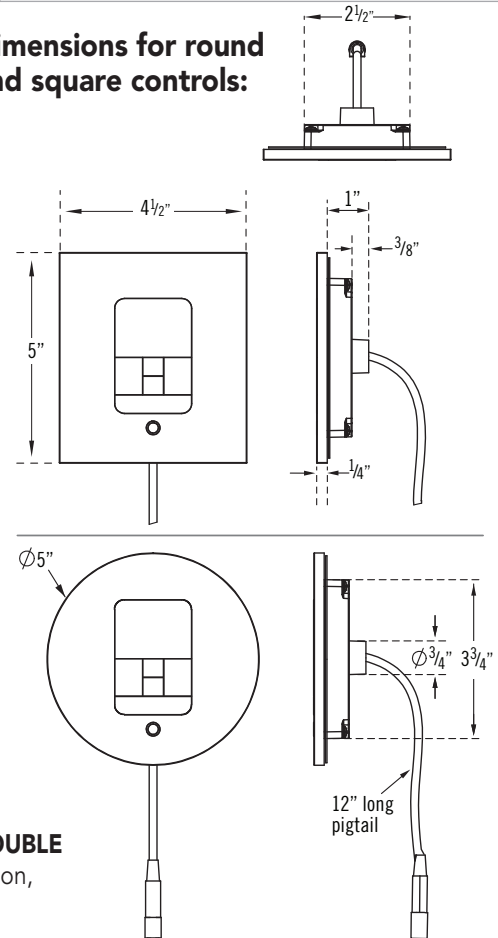
The control cable length is 30 feet. Insure that the control and/or steam generator are located accordingly.

An optional 60 ft. cable is available if required, PN 103990-60.

If the control is installed outside the steam room a Remote Temperature Probe Part Number MST5 must be installed inside the steam room.

FOR ILLUSTRATIVE PURPOSES ONLY. IMPORTANT NOTE: FOR SAFE AND TROUBLE FREE INSTALLATION visit mrsteam.com before installation to download the Installation, Operation and Maintenance Manual or refer to the manual provided with the unit.

Dimensions for round and square controls:



MODEL	SHAPE	FINISH	PROJECT INFORMATION
MS iTempoPlus	<input type="checkbox"/> RD Round	<input type="checkbox"/> BB - Brushed Bronze	Location:
	<input type="checkbox"/> SQ Square	<input type="checkbox"/> BN - Brushed Nickel	Architect:
		<input type="checkbox"/> ORB - Oil Rubbed Bronze	Engineer:
		<input type="checkbox"/> PB - Polished Brass	Contractor:
		<input type="checkbox"/> PC - Polished Chrome	Submitted By:
		<input type="checkbox"/> PN - Polished Nickel	Date:
		<input type="checkbox"/> SB - Satin Brass	Notes:
		<input type="checkbox"/> BK - Black Fascia	
		<input type="checkbox"/> WH - White Fascia	
		<input type="checkbox"/> MB - Matte Black	
		<input type="checkbox"/> RAW - Custom Plating	

AutoFlush®

AutoFlush Shown Fully Assembled

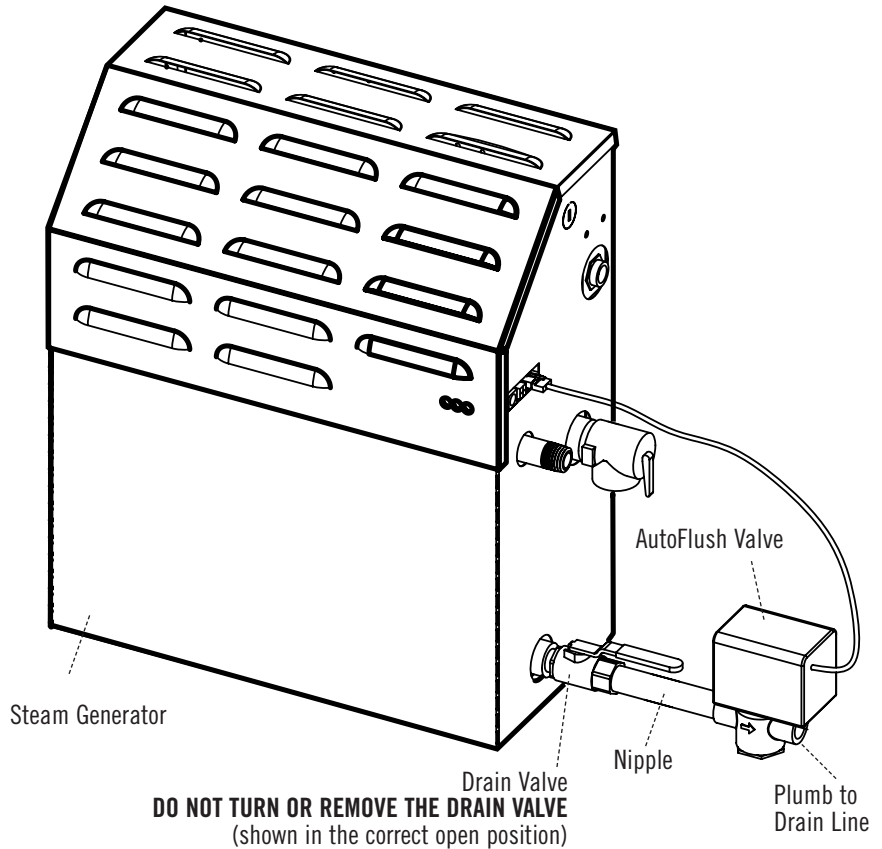
Box Contents

- AutoFlush Valve with Cord
- Installation instructions

Operation

The optional AutoFlush System feature automatically drains the Mr.Steam® system following each use. A time delay allows the water to cool down (about two hours) before it drains by gravity for a safe and gentle operation.

Note: If the Express Steam® option has been installed, the AutoFlush will drain for ten minutes then refill with fresh water to begin the pre-heat cycle.



Our exclusive AutoFlush® automatically and electronically drains the system, providing CleanSteam... Every Time® and introduces fresh water.

FOR ILLUSTRATIVE PURPOSES ONLY. IMPORTANT NOTE: FOR SAFE AND TROUBLE FREE INSTALLATION visit mrsteam.com or scan the QR code before installation to download the Installation, Operation and Maintenance Manual or refer to the manual provided with the unit.



MODEL	PROJECT INFORMATION	
MS 81500E	Location:	Contractor:
	Architect:	Submitted By:
	Engineer:	Date:
Notes:		

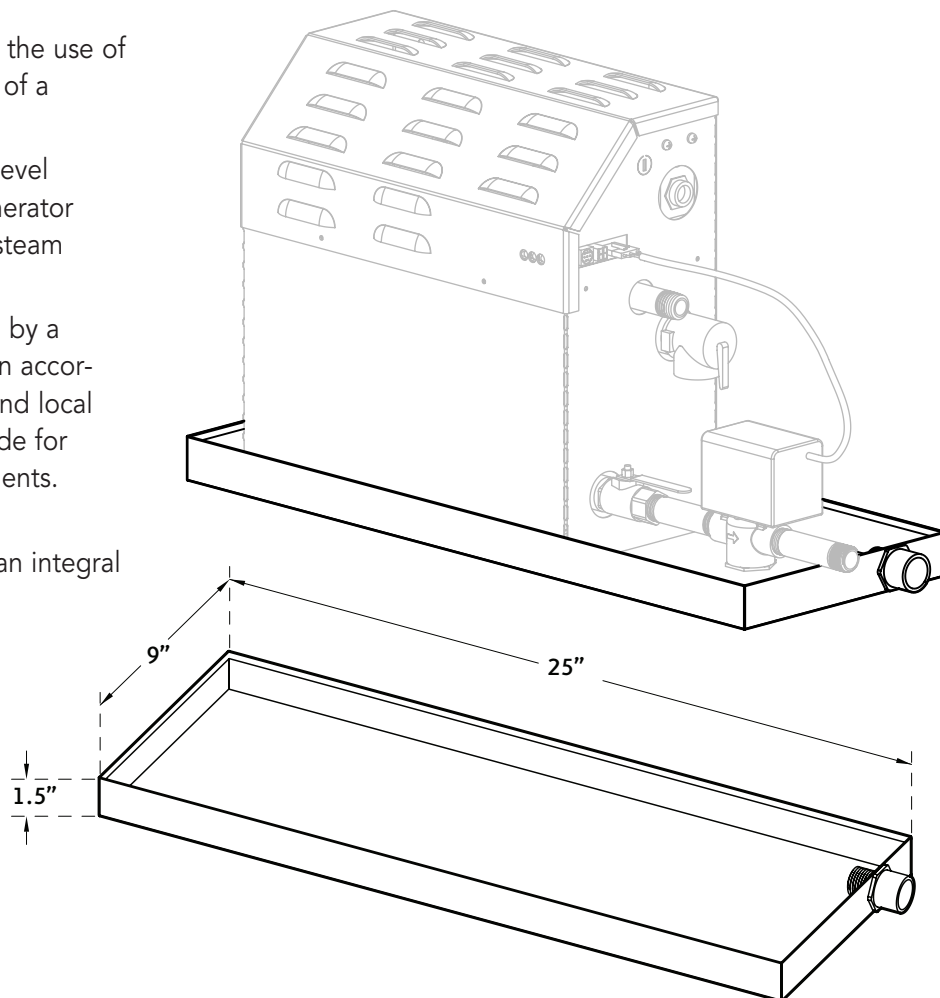
Drip Pan MS 103867

Mr. Steam strongly recommends the use of a drain pan in the unlikely event of a plumbing leak.

Locate the drain pan on a solid level surface and place the steam generator inside the drain pan. Insure the steam generator is level.

All plumbing shall be performed by a qualified licensed plumber and in accordance with applicable national and local codes. Check local plumbing code for receptor, trap and vent requirements. Drain pans drain by gravity.

The drain pan is equipped with an integral 3/4" NPT fitting.



FOR ILLUSTRATIVE PURPOSES ONLY. IMPORTANT NOTE: FOR SAFE AND TROUBLE FREE INSTALLATION visit mrsteam.com or scan the QR code before installation to download the Installation, Operation and Maintenance Manual or refer to the manual provided with the unit.

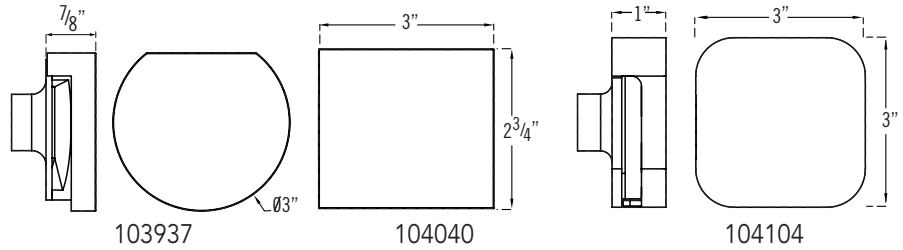


MODEL	PROJECT INFORMATION	
MS 103867	Location:	Contractor:
	Architect:	Submitted By:
	Engineer:	Date:
Notes:		

AromaSteam Steamhead

Round 103937, Square 104040, 104104

- Even distribution of steam while remaining cool to the touch
- No field assembly required
- No moving parts
- Integrated aromatherapy oil well for in shower use



Round & Square Steamhead Installation (1/2" NPT)

IMPORTANT: Do not disassemble steamhead. MrSteam's steam head is shipped fully assembled and requires no additional assembly.

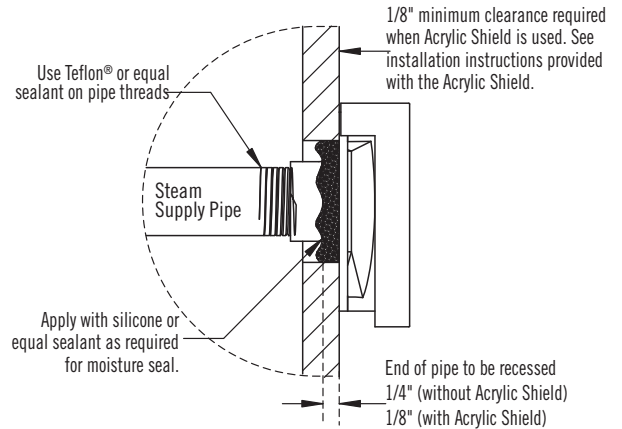
CAUTION Because the steamhead and direct steam emissions are very hot, locate the steamhead where incidental contact by bather with the steamhead or direct steam emission cannot occur.

NOTE: A 1.5" clearance hole around the steam pipe is needed to mount the steamhead.

Locate steamhead 6-12 inches above floor, except for:

- Tub/shower enclosures, install 6 inches above tub top edge.
- For enclosures with acrylic or other non-heat resistant flooring install Acrylic Shield Part Number 103938/10398SQ

IMPORTANT NOTE: To preserve steamhead finish, do not use wrench or other tools to tighten. DO NOT use abrasive cleansers or chemicals. Use only water with mild soap and a non-abrasive sponge.



CAUTION Consult with supplier of acrylic, fiberglass and other non-heat resistant enclosures for recommended steamhead location. Use Acrylic Shield PN 103938/103938SQ. See instructions provided with steam shield. (An acrylic shield is not available for the iSteam steamhead.)

FOR ILLUSTRATIVE PURPOSES ONLY. IMPORTANT NOTE: FOR SAFE AND TROUBLE FREE INSTALLATION visit mrsteam.com before installation to download the Installation, Operation and Maintenance Manual or refer to the manual provided with the unit.

MODEL	FINISH**	PROJECT INFORMATION
<input type="checkbox"/> 103937-Round	<input type="checkbox"/> BB Brushed Bronze	Location:
<input type="checkbox"/> 104040-Square	<input type="checkbox"/> BN Brushed Nickel	Architect:
<input type="checkbox"/> 104104*	<input type="checkbox"/> ORB Oil Rubbed Bronze	Engineer:
	<input type="checkbox"/> PB Polished Brass	Contractor:
	<input type="checkbox"/> SB Satin Brass	Submitted By:
	<input type="checkbox"/> PC Polished Chrome	Date:
	<input type="checkbox"/> PN Polished Nickel	Notes:
	<input type="checkbox"/> BLK Black***	
	<input type="checkbox"/> WH White***	
	<input type="checkbox"/> MB Matte Black	
	<input type="checkbox"/> RAW Custom Plating	

* 104104 Steamhead is used for AirTempo, iSteam and black/white fascia iTempo and iTempoPlus.

** For AirTempo select black or white with a decorative finish

***iSteam, black/white fascia iTempo and iTempoPlus are provided with matching glass face and chrome trim only.

SteamLinx™

BOX CONTENT

- SteamLinx Generator Module
- SteamLinx Router Module
- 6 foot Ethernet Cord
- Power Adapter

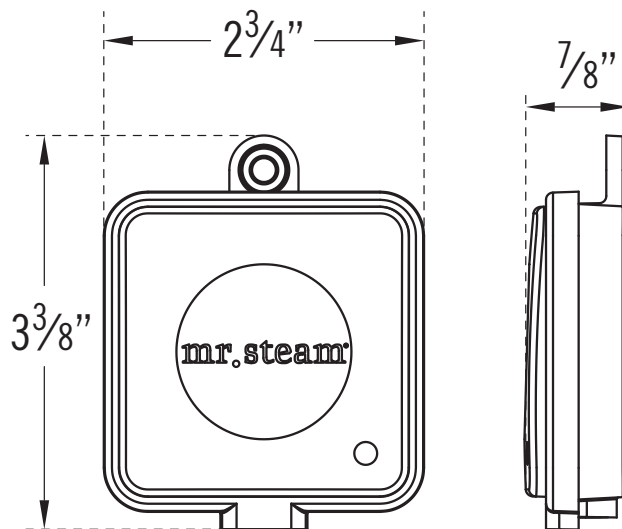
SteamLinx

Introducing the latest Mobile Steam Room Technology, the SteamLinx Mobile System. SteamLinx allows for seamless control of essential steam room functionality using your smart phone or mobile device.

Included in all Dream & Butler Packages.

Works with all MrSteam Controls

App available for download from Google Play and the App Store



FOR ILLUSTRATIVE PURPOSES ONLY.

IMPORTANT NOTE: FOR SAFE AND TROUBLE FREE INSTALLATION visit mrsteam.com before installation to download the Installation, Operation and Maintenance Manual or refer to the manual provided with the unit.

MODEL	PROJECT INFORMATION	
SteamLinx	Location:	Contractor:
	Architect:	Submitted By:
	Engineer:	Date:
Notes:		

Linear Steamhead

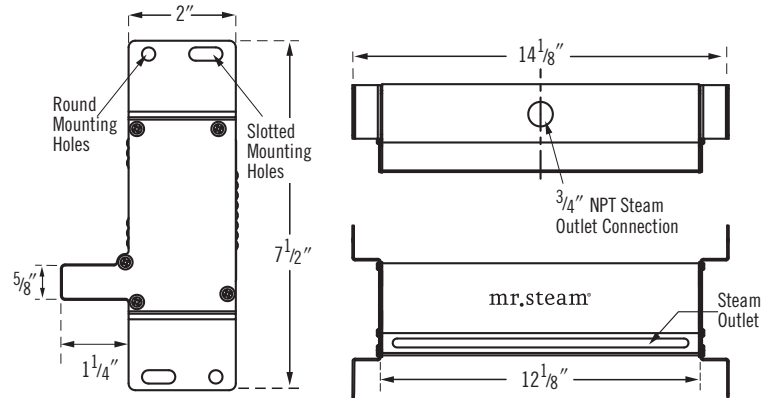
- Quiet, even distribution of steam
- No moving parts
- No field assembly required
- Minimal profile

Linear Steamhead Installation

(3/4" NPT)

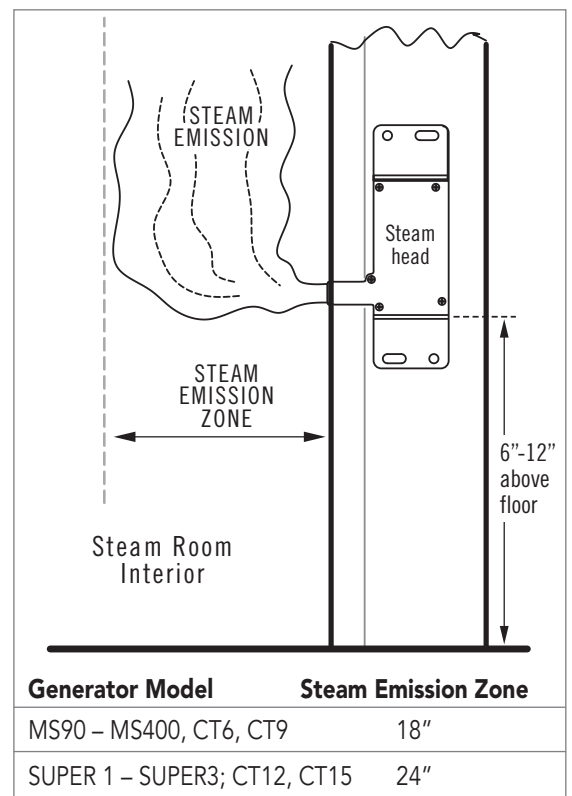
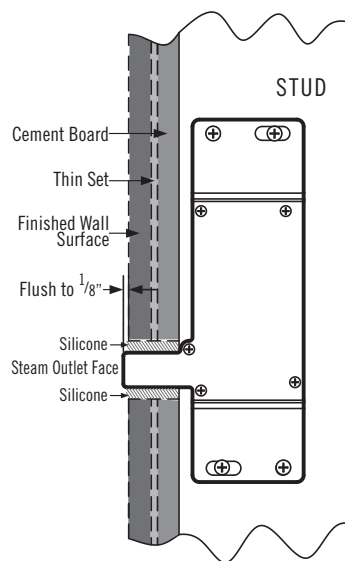
IMPORTANT: Do not disassemble steamhead. MrSteam's steamhead is shipped fully assembled and requires no additional assembly.

Locate steamhead 6-12 inches above floor, except for tub/shower enclosures; install 6 inches above tub top edge.



CAUTIONS

- Because the steamhead and direct steam emissions are very hot, locate the steamhead where incidental contact by bather with the steamhead or direct steam emission cannot occur.
- Linear Steam Head model 104216 is suitable for MrSteam generator models MS90-400, MSSUPER1-3 and CT6-CT15.
- Two 104216 linear steamheads must be used for models MSSUPER4, 5 & 6.
- Using model 104216 for any steam generator model larger than the MSSUPER3, or for any non MrSteam brand generators may result in an improper installation or hazardous condition.
- For residential and Day Spa use only.
- Install in a horizontal orientation only. Installation in a vertical orientation may concentrate the steam and result in excessive temperatures.



FOR ILLUSTRATIVE PURPOSES ONLY. IMPORTANT NOTE: FOR SAFE AND TROUBLE FREE INSTALLATION visit mrsteam.com or scan the QR code before installation to download the Installation, Operation and Maintenance Manual or refer to the manual provided with the unit.



MODEL	PROJECT INFORMATION	
104216 For MS90 - MSSUPER3 and CT6-CT15 Two required for SUPER4, 5 and 6.	Location:	Contractor:
	Architect:	Submitted By:
	Engineer:	Date:
Notes:		