

# Eva® Technical Specification

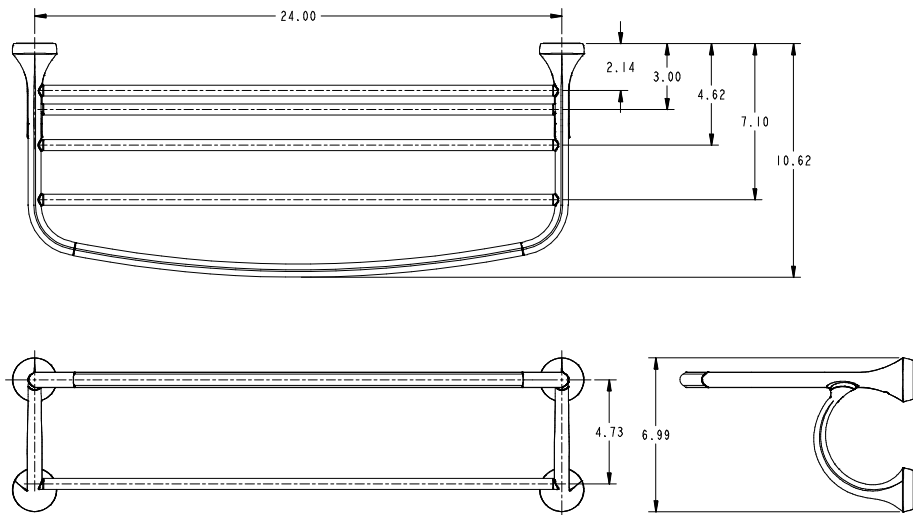
## Hotel Shelf 24"

## YB2894

### Stock Numbers:

- ❑ YB2894BN – Hotel Shelf  
Brushed Nickel Finish
- ❑ YB2894CH – Hotel Shelf  
Chrome Finish
- ❑ YB2894ORB – Hotel Shelf  
Oil Rubbed Bronze Finish

### Dimensions:



### Materials:

Hotel Shelf posts are constructed of zinc. Bar is constructed of stainless steel.

### Installation Instructions:

1. Remove the mounting post from the body by loosening the setscrew.
2. Position the mounting template on the wall in the desired location. Using a level, align the template and tape it to the wall.
3. Drill pilot holes in marked location, remove template from wall
4. Attach mounting post to wall using anchors in predrilled pilot holes
5. Tighten all screws.
6. Place each post over the mounting plate with setscrew down. Tighten both setscrews.

### Cleaning Instructions:

To preserve the fine finish of this product, clean only with a soft damp cloth. Dry well. Do not use commercial or abrasive cleaners.

**Stock Number:** \_\_\_\_\_ **Hotel Shelf**  
**By Creative Specialties**



25300 AL MOEN DRIVE • NORTH OLMSTED, OH 44070  
CORPORATE HEADQUARTERS: (800) 321-8809 • FAX: (800) 848-6636  
INTERNATIONAL: (440) 962-2000 • FAX: (440) 962-2726  
CUSTOMER SERVICE (USA): 800-882-0116 • FAX: (888) 379-2720  
WWW.MOEN.COM

©Copyright Creative Specialties International

Literature #BA1479