


DESCRIPTION

- ADA compliant operation
- Metal construction with various finishes identified by suffix

OPERATION

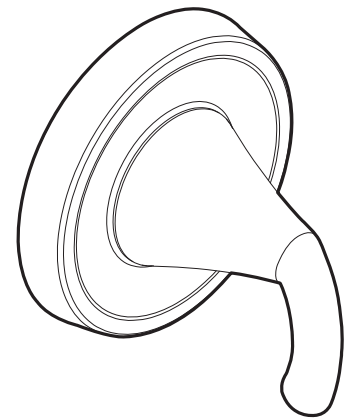
- Lever style handle
- Detents at each flow position
- Rotary 360° handle operation when used with 3 showering devices
- Rotary 120° handle operation when used with 2 showering devices

STANDARDS

- Third party certified to meet ASME A112.18/CSA B125.1 and all applicable requirements therein
- **ADA**  for lever handle

WARRANTY

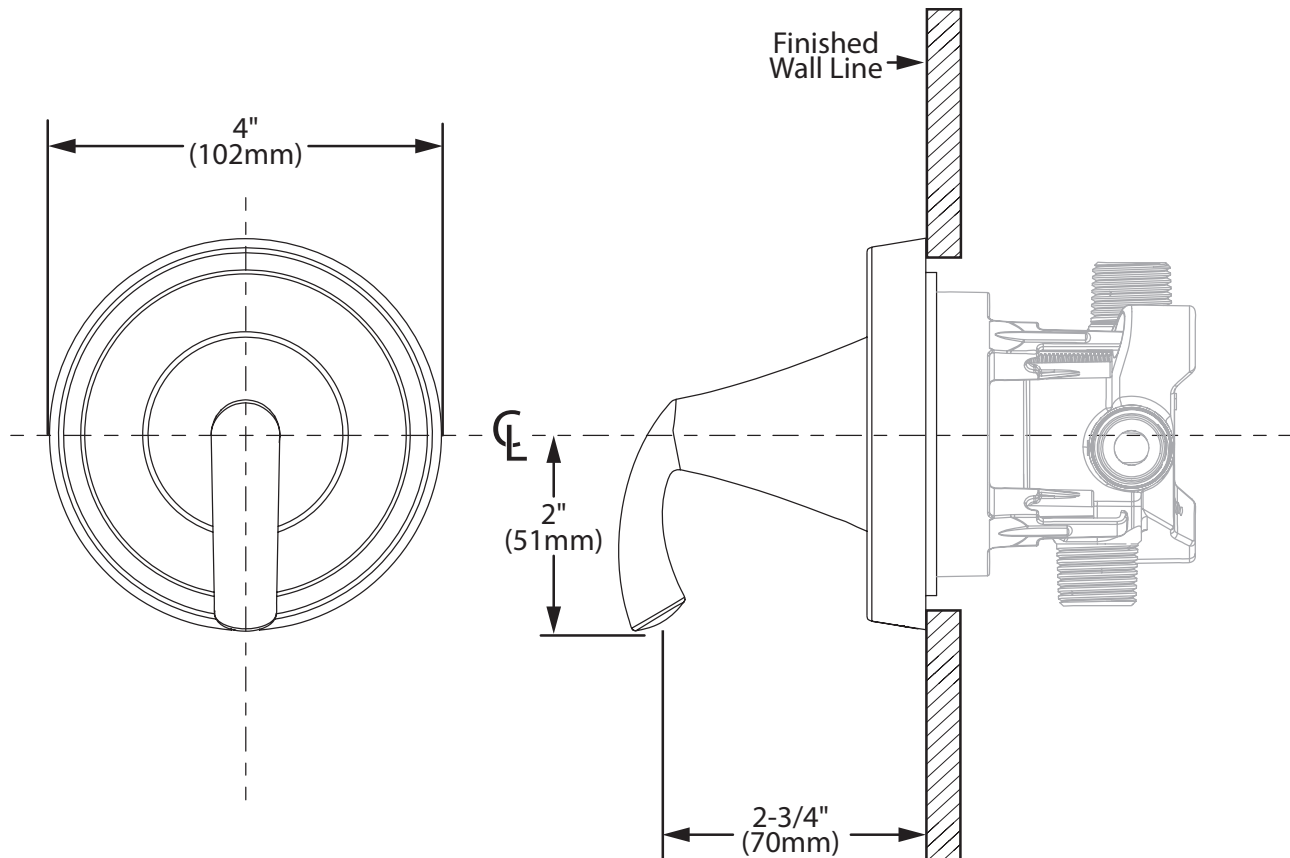
- Lifetime limited warranty against leaks, drips and finish defects to the original homeowner
 - 10 year limited warranty when used in a multifamily installation
 - 5 year limited warranty when used in a commercial installation
- Visit www.moen.com/support for complete details and limitations



GLYDE™
M-CORE™ Transfer Valve Trim Kit

Models: UT2721 series

Valve: U231 series or
U361 series valves



CRITICAL DIMENSIONS

(DO NOT SCALE)