

# 4115-3106 Barrett™ HET

Elongated Front, SmartHeight™, Vitreous China, Two-Piece Toilet with Concealed Trapway




## Features

- Concealed trapway for easier cleaning
- 1.28 Gpf / 4.86 Lpf low water consumption
- Elongated front, SmartHeight™ (16-1/4" high bowl)
- Complies with ADA requirements for accessibility
- High performance MagnaFlush™ flushing technology
- 3" flush valve
- Pilot operated anti-siphon fill valve
- 12" rough-in
- Model 69 side-mount metal trip lever available in chrome, satin, nickel and sicilian bronze
- 2-1/8" glazed trapway
- The Mansfield® limited lifetime warranty
- Available in White and Standard Colors: Biscuit and Bone



Model 4115-3106  
Toilet seat not included

## Components

Model #	Description	Codes/Standards
4115-3106	Elongated front, SmartHeight™ two-piece toilet. Less toilet seat and supply. Specify color.	
4115	Elongated front, SmartHeight™ toilet bowl only. Specify color.	
3106	Tank and cover only, with left hand side mount, trip lever. Less supply. Specify color.	
SB700	Elongated, SmartClose™ toilet seat. Specify color.	

# 4115-3106 Barrett™ HET

Elongated Front, SmartHeight™, Vitreous China, Two-Piece Toilet with Concealed Trapway

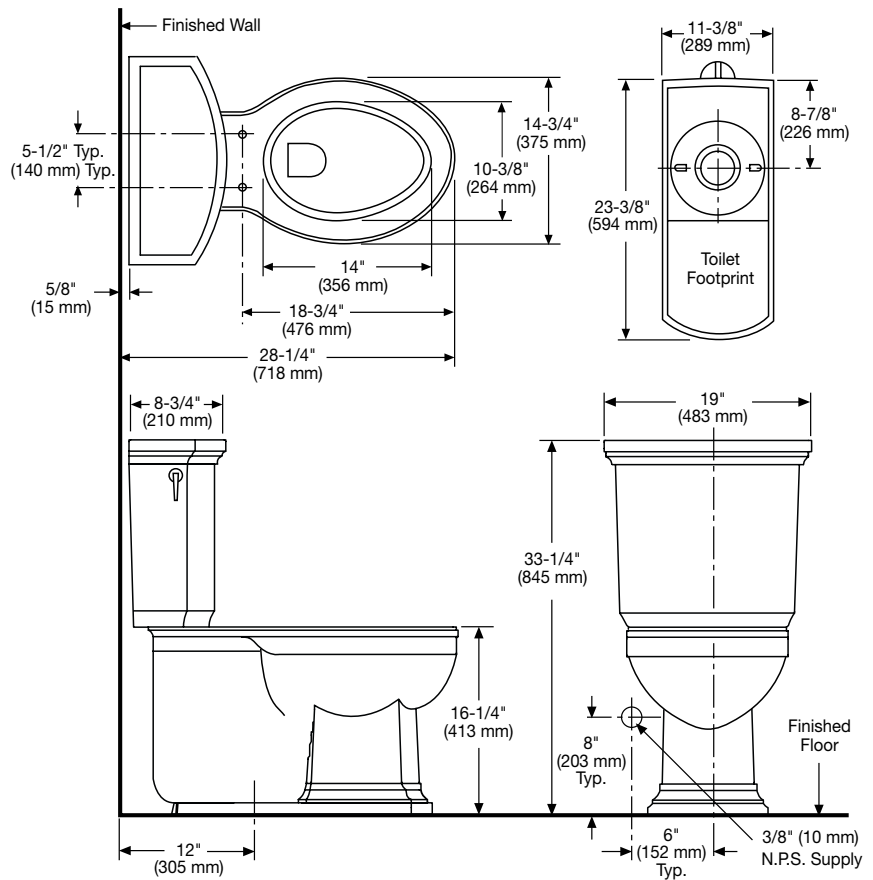


## Specifications

Model #	Description	Codes/Standards
4115-3106	Elongated front (1.28 gpf/4.86 lpf) two-piece toilet	

Specification	Description	Specification	Description
Material	Vitreous China	Trap Diameter	2-1/8"
Water Pressure Range	20 to 80 PSI	Trap Seal	2-1/4"
Flush System	3" flush valve - MagnaFlush™ Flushing Technology	Rough-in	12"
Water Usage	1.28 gpf / 4.86 lpf	Shipping Weight	Model 4115 - 69 lbs. (31.2 kg)
Water Surface Area	8-1/4" X 10-3/8"		Model 3106 - 40 lbs. (18.1 kg)
MaP Rating	800 grams	Warranty	Vitreous China - Limited Lifetime Tank Trim - Limited One Year

## Technical Information



See our complete line of acrylic and vitreous china bathroom fixtures, plastic tank trim and plumbing products.

These dimensions are nominal and subject to change without notice.

Fixture performance and specifications meet or exceed ASME A112.19.2-2008/CSA B45.1-08 standards, and other state and local codes.