

# 2018HBNS Grand Isle

Wall-Mount, Vitreous China Lavatory





## Features

- High back, 22" W x 18-1/8" D wall-mount lavatory
- Designed for concealed arm installation
- Basin: 16" x 10-5/8"
- Available in single hole, 4" or 8" faucet centers
- Concealed front overflow
- Complies with ADA requirements for accessibility
- The Mansfield® limited lifetime warranty
- Available in White and Standard Colors: Biscuit and Bone



Model 2018HBNS-8

## Components

Model #	Description	Codes/Standards
2018HBNS-1	22" x 18-1/8" Wall-mount lavatory with single hole faucet center. Less faucet, drain assembly and supply. Specify color.	 
2018HBNS-4	Same as above with 4" faucet center	
2018HBNS-4-LO	Same as above, less overflow	
2018HBNS-8	Same as 2018HBNS-4 except with 8" faucet center. Less faucet, drain assembly and supply. Specify color.	
2018HBNS-8-LO	Same as above, less overflow	



**MADE IN USA**

## Specifications

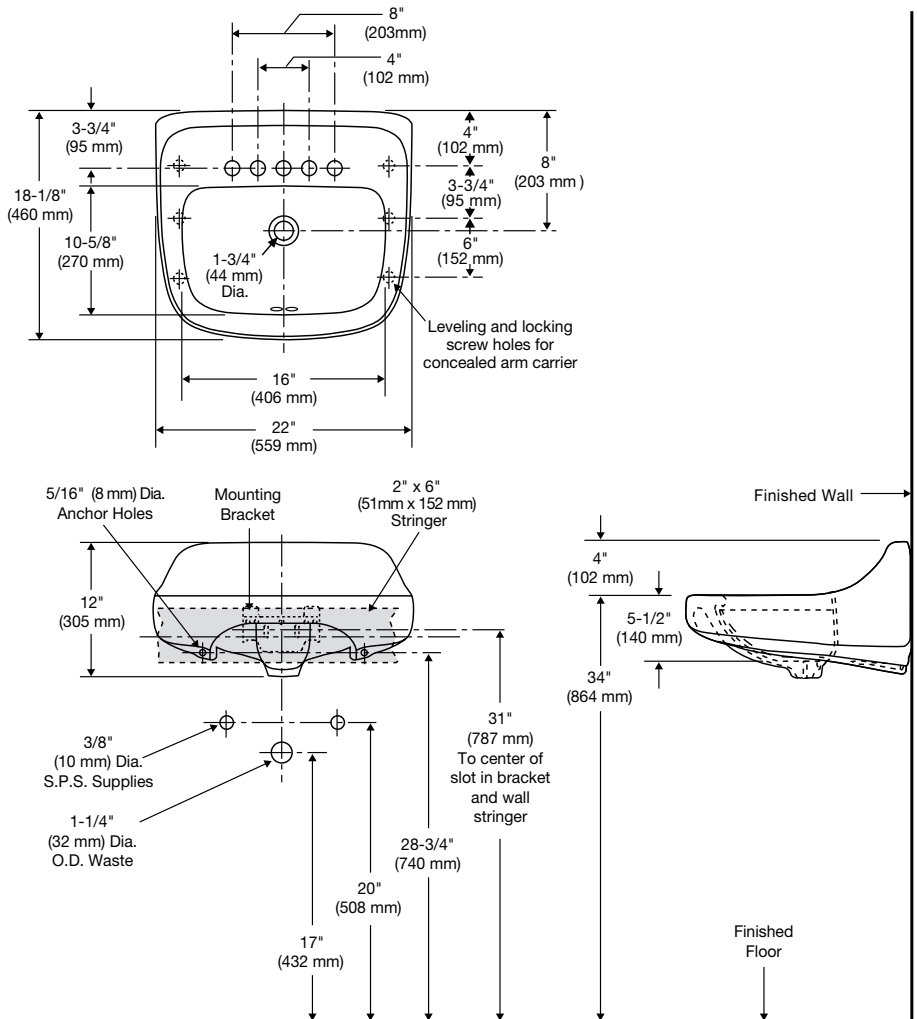
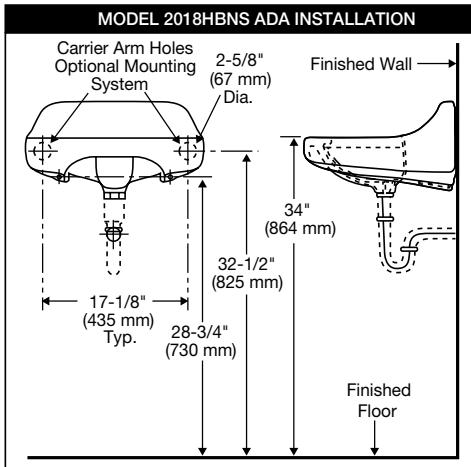
Model #	Description	Codes/Standards
2018HBNS	Wall-Mount, Vitreous China Lavatory	

Specification	Description	Specification	Description
Material	Vitreous China	Faucet Holes	Single, 4" or 8"
Warranty	Vitreous China - Limited Lifetime	Shipping Weight	Model 2018HBNS - 37 lbs. (17 kg)

## Technical Information

All Mansfield® wall-mount lavatories are supplied with this exclusive one-piece steel hanger. Easily installed and adjusted, it contains 7 holes for solid mounting against wall. Anchoring screw must be used for correct installation. Standard plumbing practice recommends use of both mounting bracket and anchoring screws.

NOTE: For secure installation, wall-mounting hanger should be fastened to solid support wall stud.



See our complete line of acrylic and vitreous china bathroom fixtures, plastic tank trim and plumbing products.

These dimensions are nominal and subject to change without notice.

Fixture performance and specifications meet or exceed ASME A112.19.2-2008/CSA B45.1-08 standards, and other state and local codes.

