



Push Connect[®] Brass Check Valves

Product Specifications

MAINLINE[®]

PRODUCT FEATURES

- Forged Lead Free* Brass
- Maximum Working Pressure: 200 PSI
- Maximum Temperature Rating: 200° F
- Compatible with Copper, CPVC, PEX & PE-RT
- Replaceable O-Ring Seal Design
- Removable and Reusable
- Push to Connect
- Full Flow
- Available with Pre-Inserted Stiffener

APPROVED APPLICATIONS

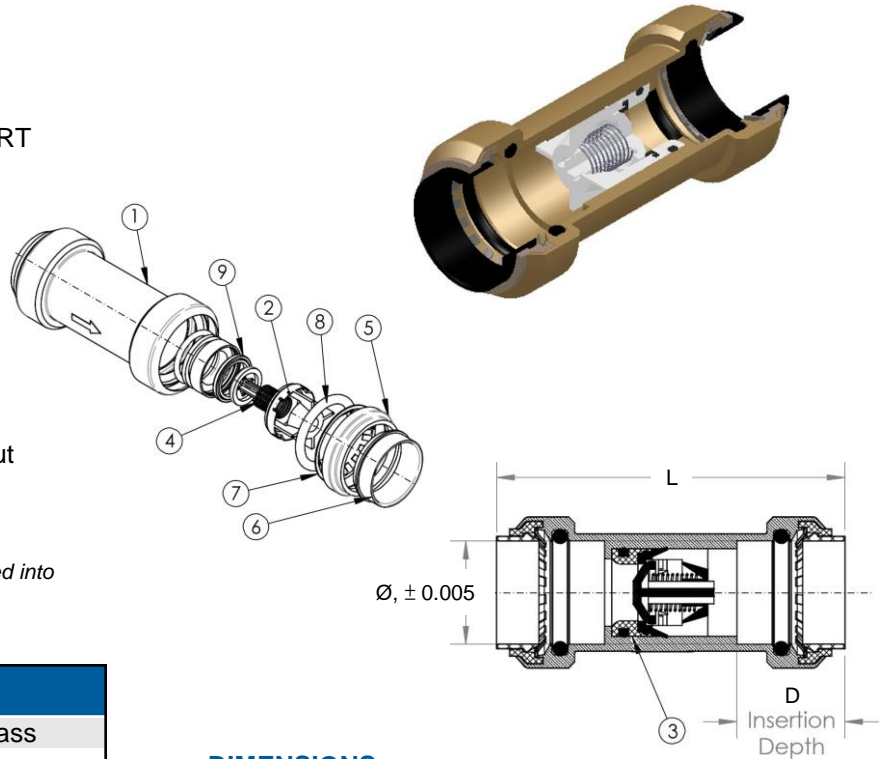
- Plumbing
- Heating
- Irrigation
- Underground
- Hydronic Heating
- Behind Walls without Access Panel

NOTE: When using PEX, a tube stiffener should be inserted into the PEX tubing end prior to insertion into the fitting.

MATERIALS & SPECIFICATIONS

#	Component	Material
1	Main Body	Lead Free Brass
2	Check Body #1	PTFE
3	Check Body #2	PTFE
4	Spring	Stainless Steel
5	Seat Ring	POM
6	Push Ring	POM
7	Grip Ring	Stainless Steel
8	O-Ring Seal	EPDM70
9	O-Ring Seal	EPDM70

✓ To Submit	Part #	Size
	MLU2008LF	1/2" x 1/2"
	MLU2016LF	3/4" x 3/4"
	MLU2020LF	1" x 1"
	MLU2008LF-S	1/2" x 1/2" w/ Stiffener
	MLU2016LF-S	3/4" x 3/4" w/ Stiffener
	MLU2020LF-S	1" x 1" w/ Stiffener



DIMENSIONS

#	Ø	D	L
MLU2008LF	0.64	1	2.62
MLU2016LF	0.88	1.06	3.25
MLU2020LF	1.142	1.31	3.91
MLU2008LF-S	0.64	1	2.62
MLU2016LF-S	0.88	1.06	3.25
MLU2020LF-S	1.142	1.31	3.91

FORCES FOR MECHANICAL SEPARATION TEST

Nominal Size		Longitudinal (Pull) Test	
Inches	mm	Lbf	N
1/2	13	150	667
3/4	19	275	1223.2
1	25	475	2112.8

Warranty

See warranty information for more details.

All dimensions listed are nominal. MAINLINE[®] reserves the right to make product and material changes at any time without notice.



Contact your sales representative for more information or visit our website at mainlinecollection.com