

15" x 15" Top Mount Single Bowl Bar/Prep Sink

Product Specifications



PRODUCT FEATURES

- 23 Gauge
- 304 Series Stainless Steel
- Satin Finish
- Sound Absorption Pads

MATERIALS & SPECIFICATIONS

Installation Type:	Top Mount
Material:	304 Series Stainless Steel
Finish:	Satin
Gauge:	23
Sound Deadening:	Bottom Only Pads
Number of Bowls:	1
Sink Dimensions:	15" x 15" x 5-3/16"
Bowl Dimensions:	12" x 9-1/4" x 5-3/16"
Drain Size:	2" (51mm)
Drain Location:	Center
Minimum Cabinet Size:	18"
Mounting Hardware:	Included for countertops up to 3/4" (19mm) thick
Cutout Template #:	Included inside box



MLTS151552 shown

✓ To Submit	Part No.	Description
	MLTS151552	Two Hole

This sink is compliant to ADA and ANSI/ICC A117.1 accessibility requirements when installed according to the requirements outlined in these standards.

Sinks are listed by IAPMO® as meeting the applicable requirements of the Uniform Plumbing Code®, International Plumbing Code®, and National Plumbing Code of Canada.

Warranty: See warranty information for more detail.

For cutout measurement: See cutout template in sink box.

All dimensions listed are nominal. Mainline® reserves the right to make product and material changes at any time without notice.



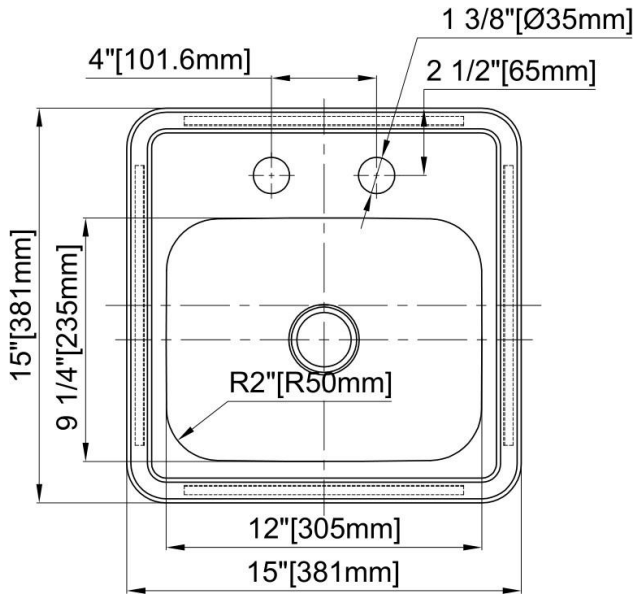
Contact your sales representative for more information or visit our website at mainlinecollection.com

15" x 15" Top Mount Single Bowl Bar/Prep Sink

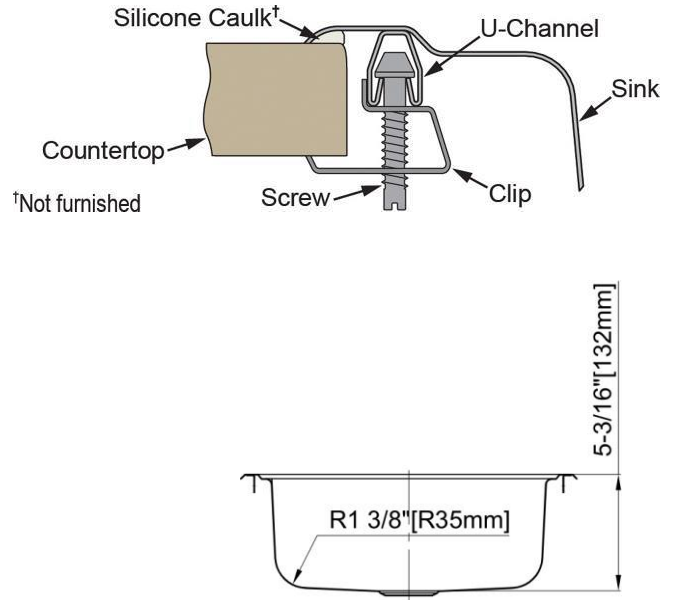
Product Specifications



Dimensions:



Installation Profile:

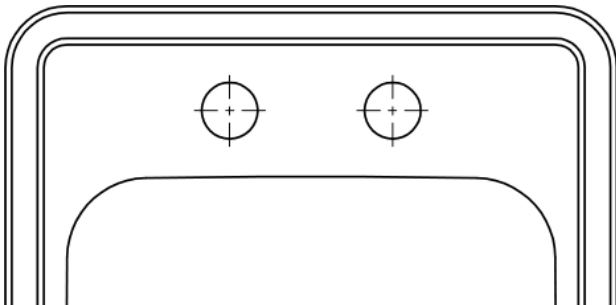


CUT OUT DIMENSIONS FOR TOP MOUNT INSTALLATION

- 14-3/8" X 14-3/8" with 1-3/16" corner radius

HOLE DRILLING CONFIGURATION

- 1-3/8" (35mm) diameter faucet holes for 2 hole models
- Faucet holes on 4" (101.6mm) centers



Contact your sales representative for more information or visit our website at mainlinecollection.com