

# Dishwasher Elbow - 3/8" Comp. x 3/4" FHT Garden Hose



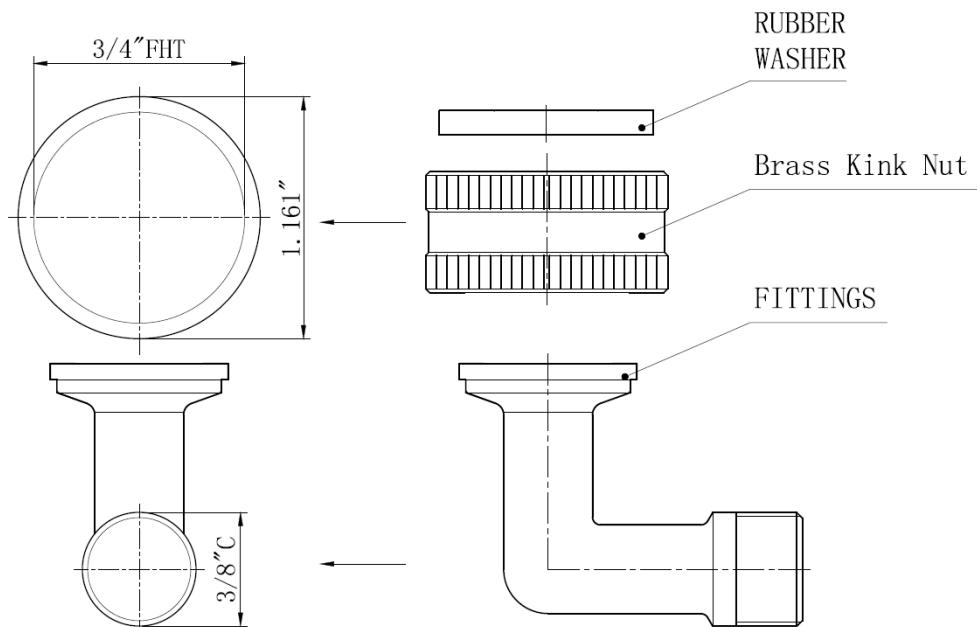
Product Specifications

## FEATURES

- For Whirlpool, Maytag, Amana, Kitchen Aid and Jen Air Dishwashers made after September 2009
- Swivel Hose Thread
- Temperature: 200° Fahrenheit Maximum Working Temperature
- Pressure: 125 PSI Maximum Burst Pressure
- Material: Brass, Rubber Washer



✓ To Submit	Part #	Description
	MLHES612	Dishwasher Elbow - 3/8 Comp. x 3/4 FHT Garden Hose



## Warranty

See warranty information for more details.

All dimensions listed are nominal. MAINLINE® reserves the right to make product and material changes at any time without notice.



Contact your sales representative for more information or visit our website at [mainlinecollection.com](http://mainlinecollection.com)