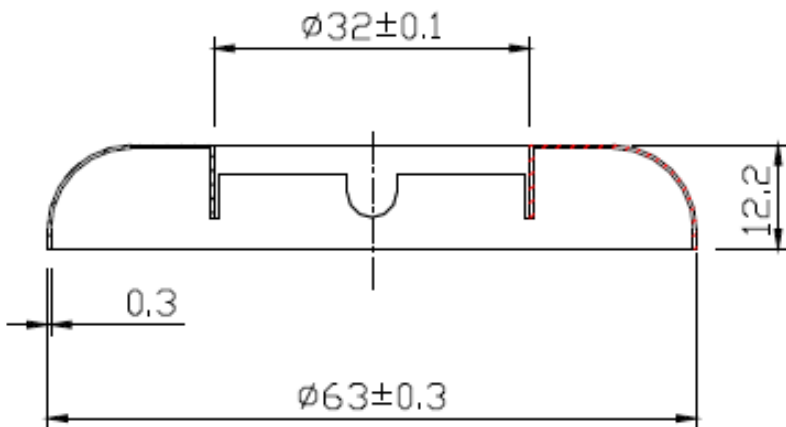
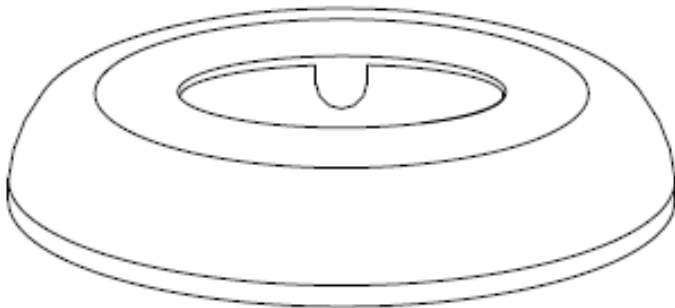


SPECIFICATIONS

- For 1-1/4" P-trap
- Polished Steel



MLSHE114



No.	Part Name	Material
1	Body	Steel