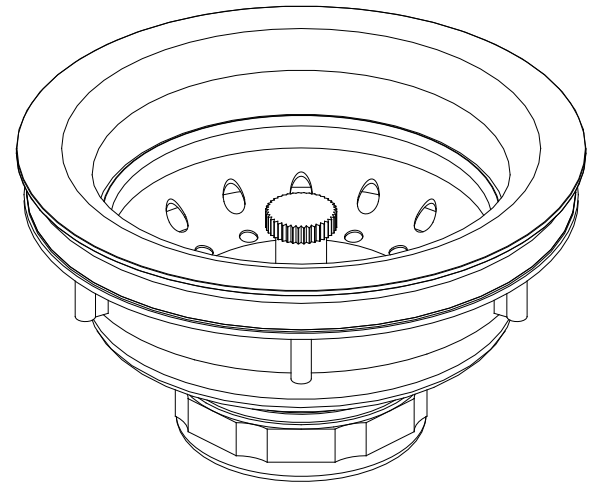
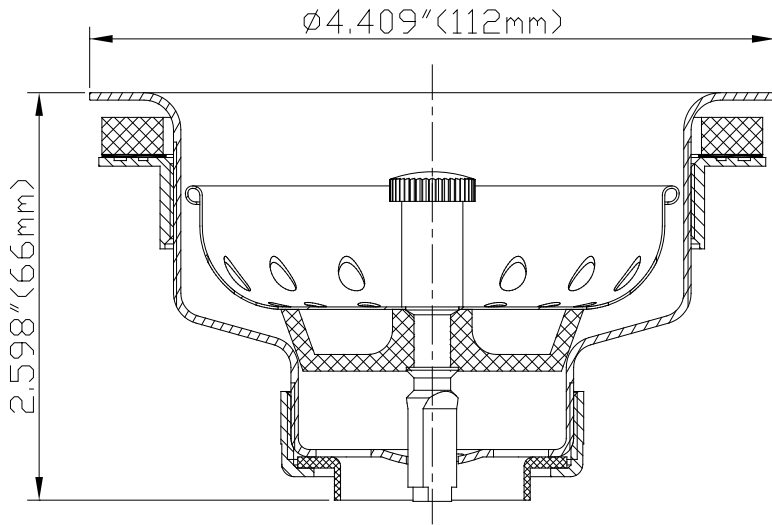


SPECIFICATIONS

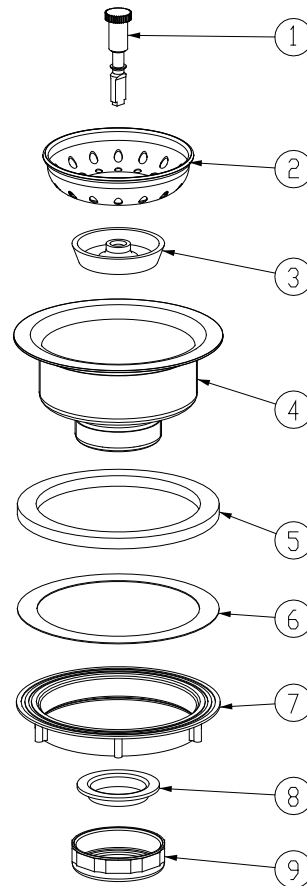
- Forged Brass Body
- Machine Cut Threads
- Metal Post
- Stainless Steel Basket
- Extra Thick Washer
- Heavy Zinc Locknut



MLL7



CROSS REFERENCE	
L7	S14-007
2433PC	SS-125
656-003	ZSS250-PC



No.	Part Name	Material
1	Stick Post	Zinc
2	Basket	Stainless Steel
3	Stopper	Rubber
4	Body	Forged Brass
5	Washer	Rubber
6	Gasket	Paper
7	Locknut	Zinc
8	Washer	PE
9	Tailpiece Nut	Zinc

CERTIFICATIONS

- cUPC

