



1-1/2" Tubular P-Trap less Cleanout

Product Specifications

MAINLINE®

FEATURES

- 8-3/4" 17 GA Brass Wall Tube
- 1-1/2" x 1-1/4" Reducing Washer
- Chrome Plated
- Zinc Nut Kit
- Shallow Escutcheon

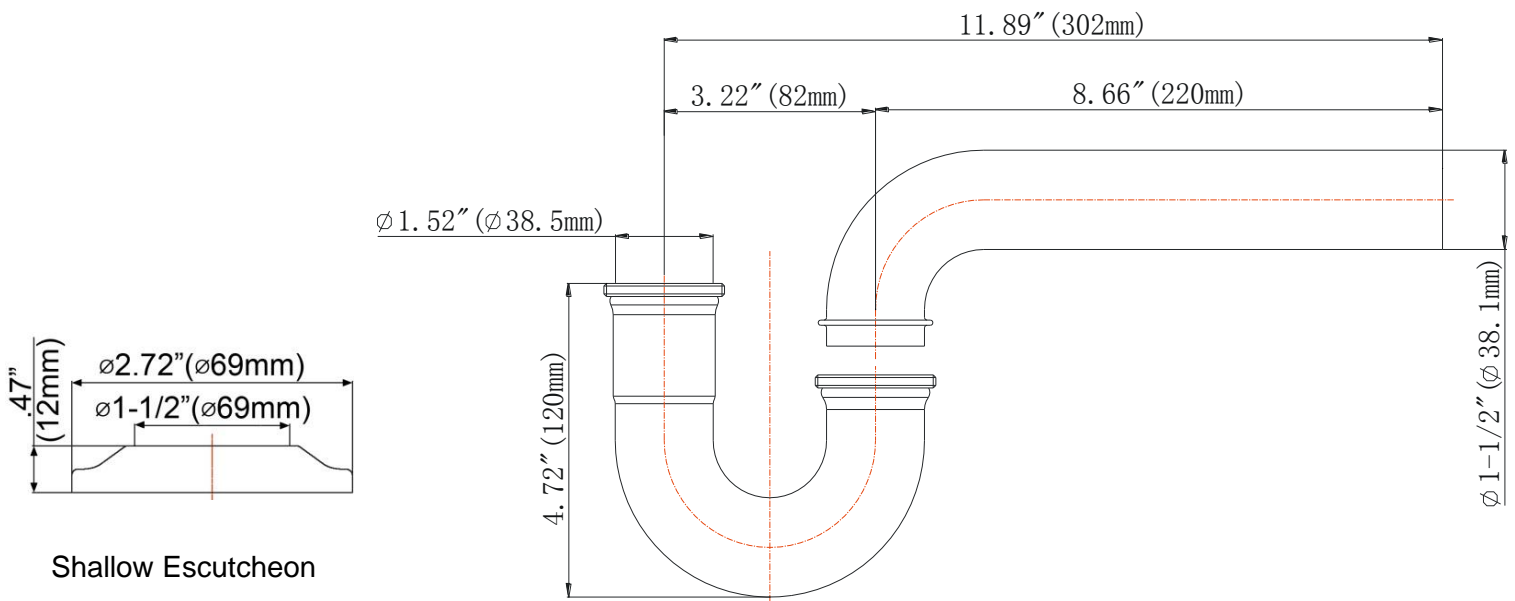


ML704

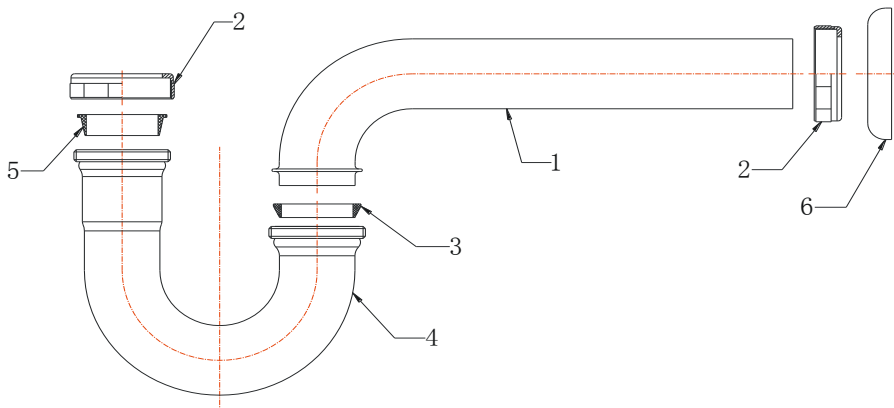
APPLICABLE STANDARDS/CODES

Specified model meets or exceeds the following:

- ASME A112.18.1/CSA B125.1
- IAPMO/cUPC



Shallow Escutcheon



| Part # | Part Description | Material |
|--------|------------------|--------------|
| 1 | Wall Tube | Brass |
| 2 | Slip Nut | Zinc |
| 3 | Washer | Rubber |
| 4 | J-Bend | Brass |
| 5 | Reducing Washer | PE |
| 6 | Escutcheon | Plated Steel |

Warranty

See warranty information for more details.

All dimensions listed are nominal. MAINLINE® reserves the right to make product and material changes at any time without notice.



Contact your sales representative for more information or visit our website at mainlinecollection.com