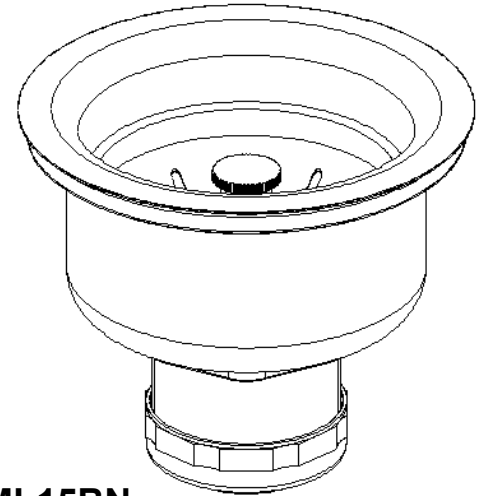
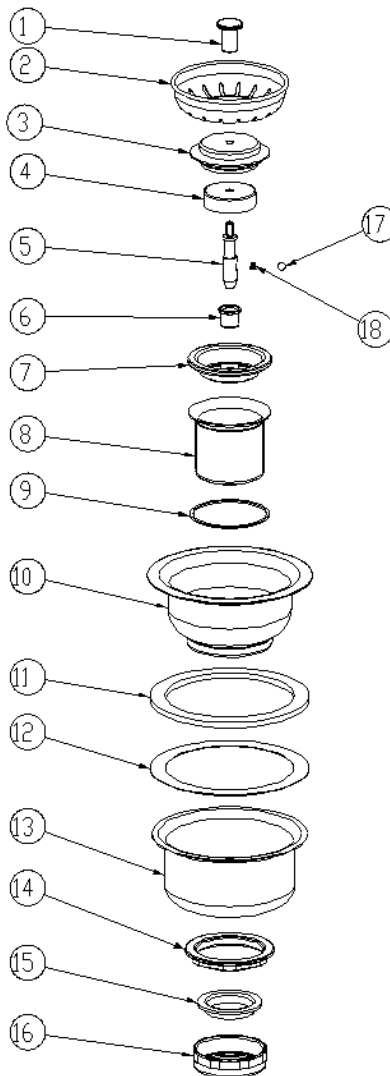
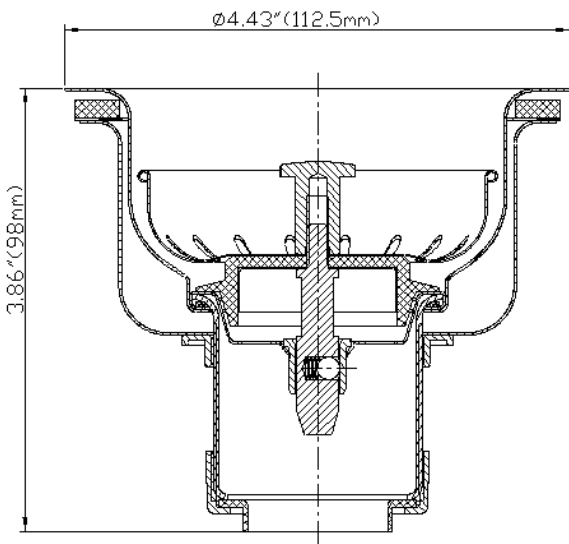


**SPECIFICATIONS**

- Deep Locking Cup For Easy Installation
- Stainless Steel Body
- Stainless Steel Basket
- Brass Post With Ball Bearing Type Snap In Feature
- Brass Locknut
- Brass Tailpiece Nut



**ML15BN**



No.	Part Name	Material
1	Stick Post	Brass
2	Basket	Stainless Steel
3	Stopper	Rubber
4	Gasket	Stainless Steel
5	Guidepost	Brass
6	Sleeve	Brass
7	Washer	Rubber
8	Thread Tube	Stainless Steel
9	Washer	Rubber
10	Body	Stainless Steel
11	Washer	Rubber
12	Friction Washer	Paper
13	Shell	Stainless Steel
14	Locknut	Brass
15	Washer	PE
16	Tailpiece Nut	Brass
17	Locking Ball	Stainless Steel
18	Spring	Stainless Steel

CROSS REFERENCE	
15	SS-185B
S14-005	1434BRSS
300-006	ZP2000B-SS
652-003	

**CERTIFICATIONS**

- cUPC

