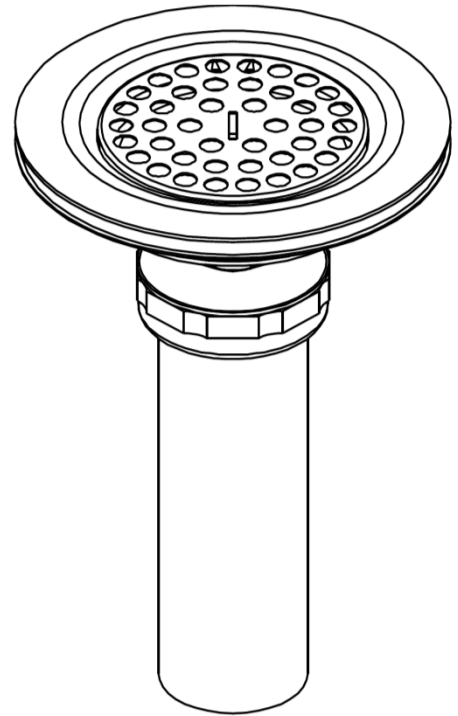
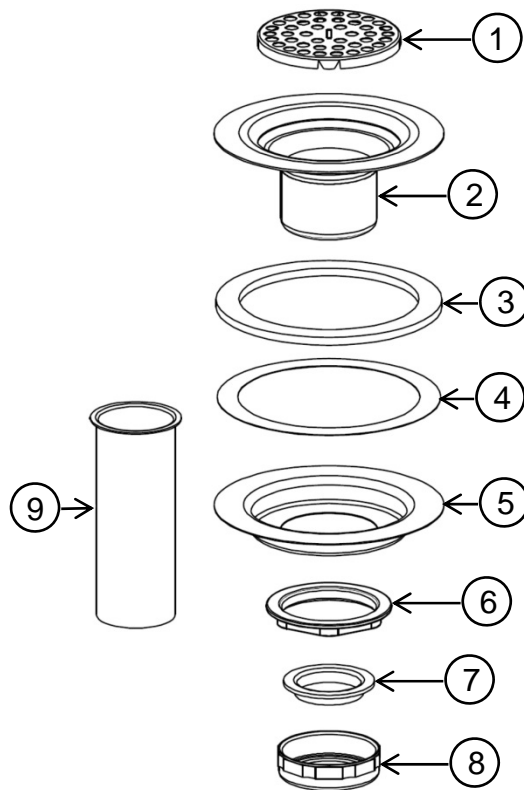
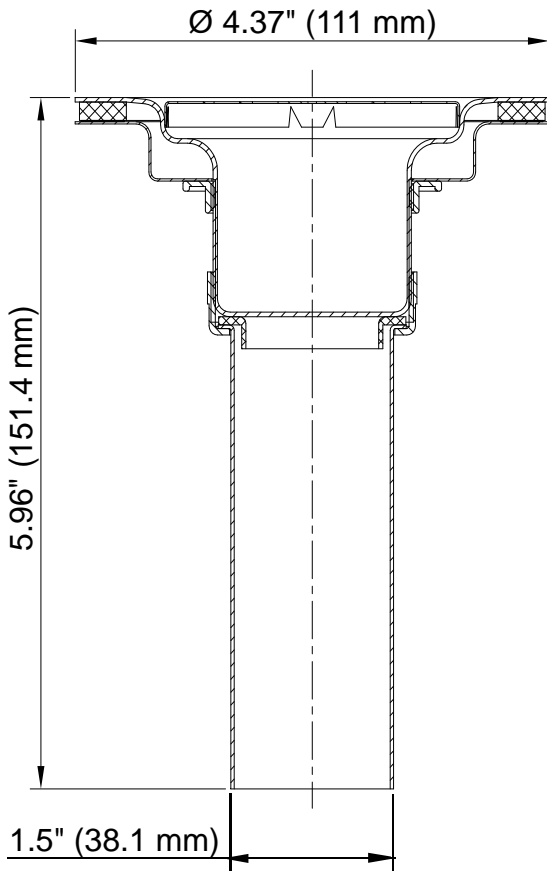


SPECIFICATIONS

- Stainless Steel Body
- Stainless Steel Flat Grid Top
- 4" Tailpiece
- Zinc Die Cast Locknut
- Zinc Die Cast Tailpiece Nut



ML152



No.	Part Name	Material
1	Flat Strainer	Stainless Steel
2	Body	Stainless Steel
3	Washer	Rubber
4	Gasket	Paper
5	Shell	Plated Steel
6	Lock Nut	Zinc
7	Washer	PE
8	Tailpiece Nut	Zinc
9	Tailpiece	CP Brass

CERTIFICATIONS

- cUPC

