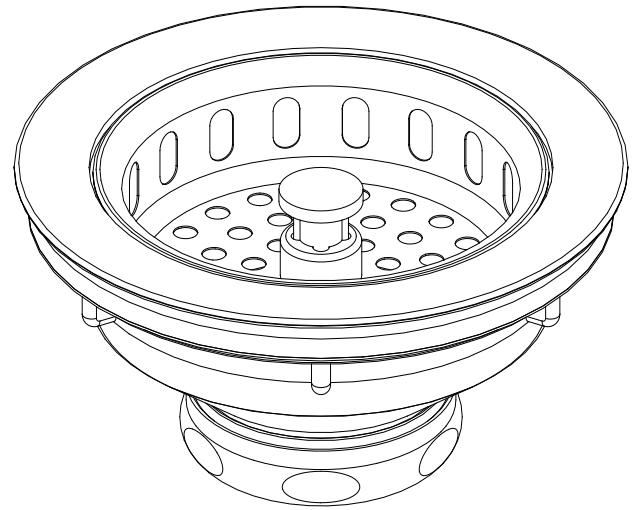
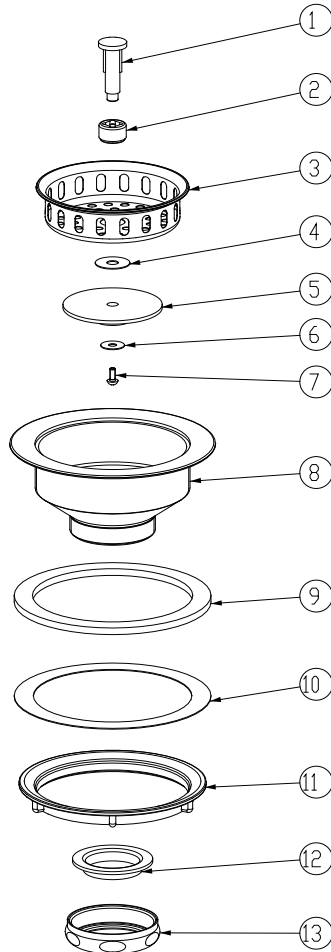
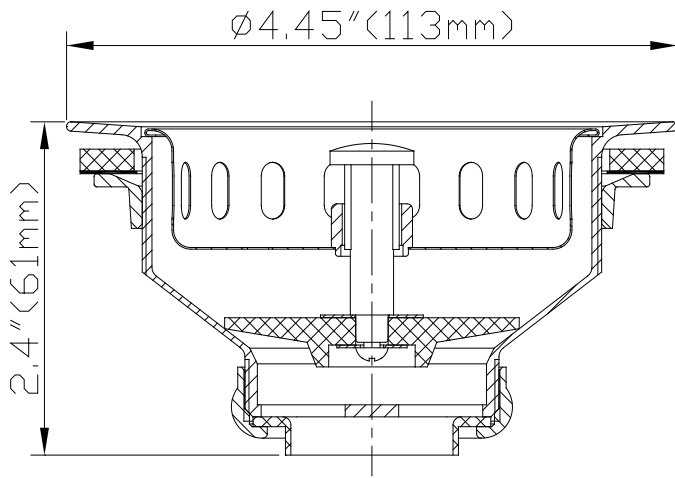


SPECIFICATIONS

- Heavy Duty Forged Brass Body
- Stainless Steel Basket
- Brass Post
- Heavy Brass Locknut
- Brass Tailpiece Nut
- Brushed Stainless Steel Finish



ML151LTSS



No.	Part Name	Material
1	Stick Post	Brass
2	Bushing	Brass
3	Basket	Stainless Steel
4	Gasket	Stainless Steel
5	Stopper	Rubber
6	Gasket	Stainless Steel
7	Screw	Stainless Steel
8	Body	Brass
9	Washer	Rubber
10	Friction Washer	Paper
11	Locknut	Brass
12	Washer	PE
13	Tailpiece Nut	Brass

CERTIFICATIONS

- cUPC

