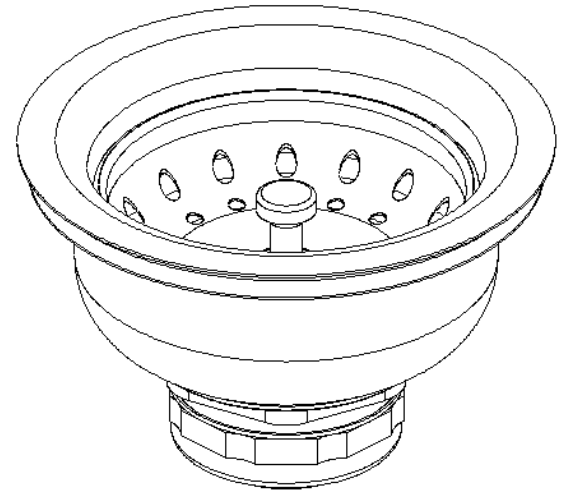
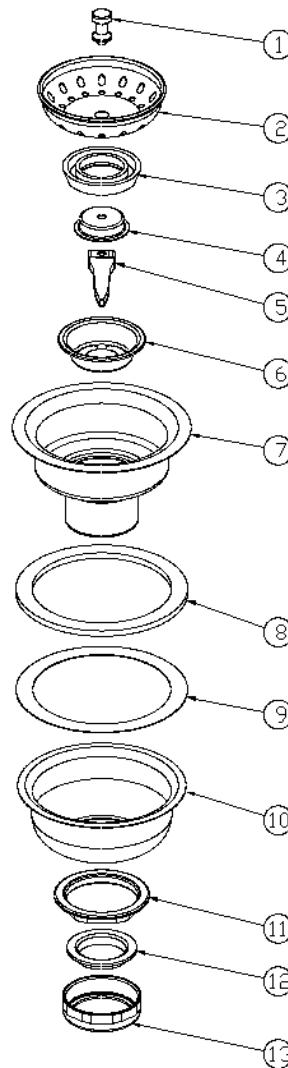
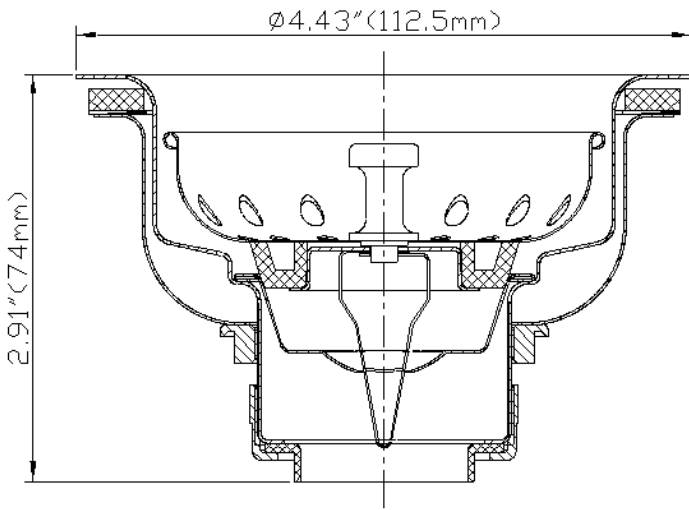


SPECIFICATIONS

- Stainless Steel Body
- Snap in Stainless Steel Basket
- Metal Post
- Zinc Die Cast Locknut
- Zinc Die Cast Tailpiece Nut



ML14



No.	Part Name	Material
1	Stick Post	Brass
2	Basket	Stainless Steel
3	Stopper	Rubber
4	Flange	Stainless Steel
5	Spring	Stainless Steel
6	Flange	Stainless Steel
7	Body	Stainless Steel
8	Washer	Rubber
9	Friction Washer	Paper
10	Shell	Stainless Steel
11	Locknut	Zinc
12	Washer	PE
13	Tailpiece Nut	Zinc

CROSS REFERENCE	
14	300-012
S14-014	1443SS

CERTIFICATIONS

- cUPC

