



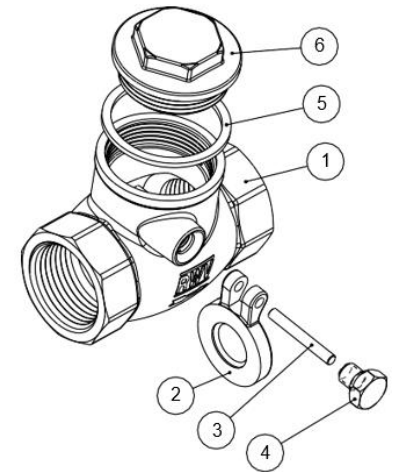
# Lead Free Brass Swing Check Valve, Threaded

## Product Specifications

✓ To Submit	Part #	Size
	ML246AB-1/2	1/2"
	ML246AB-3/4	3/4"
	ML246AB-1	1"
	ML246AB-11/4	1-1/4"
	ML246AB-11/2	1-1/2"
	ML246AB-2	2"
	ML246AB-21/2	2-1/2"
	ML246AB-3	3"

### Product Features:

- 200# WOG
- Brass Body
- Brass Seat
- FNPT x FNPT
- Threaded Ends (ASME B1.20.1-NPT)
- Horizontal "T" Pattern
- AB1953, NSF-61 & 372 Certified



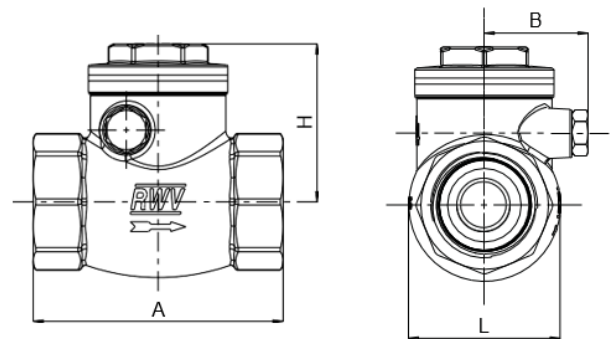
### Materials & Specifications:

Part	Material	Specification
1 Body	Lead Free Brass	ASTM B927 C27450
2 Retaining Disc	Lead Free Brass	ASTM B927 C27450
3 Stem	Lead Free Brass*	ASTM B927 C27450
4 Bolt	Lead Free Brass	ASTM B927 C27450
5 Gasket	PTFE	PTFE
6 Cap	Lead Free Brass	ASTM B927 C27450

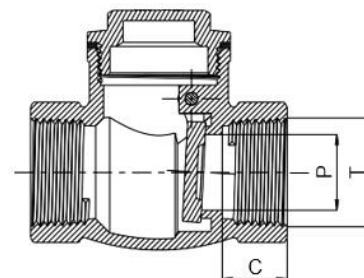
\*Stainless steel stem for size 2 1/2" - 4"

### Dimensions (inches), Weights (lbs.), & Valve Data:

Size	T	A [in]	H [in]	L [in]	B [in]	C [in]	P [in]	Wt. [lb]
1/2"	1/2 - 14 NPT	2.22	1.39	1.26	0.96	0.61	0.51	0.38
3/4"	3/4 - 14 NPT	2.47	1.57	2.50	1.02	0.63	0.73	0.56
1"	1 - 11.5 NPT	3.03	1.81	1.77	1.14	0.75	0.94	0.88
1 1/4"	1 1/4 - 11.5 NPT	3.31	2.19	2.11	1.50	0.77	1.20	1.38
1 1/2"	1 1/2 - 11.5 NPT	3.62	2.42	2.44	1.61	0.77	1.42	1.82
2"	2 - 11.5 NPT	4.21	2.81	2.95	1.48	0.79	1.77	2.50
2 1/2"	2 1/2 - 8 NPT	5.63	3.48	3.74	1.81	1.06	2.24	4.90
3"	3 - 8 NPT	6.18	3.91	4.41	2.05	1.14	2.56	7.44



Pressure/Temperature Ratings	
200# WOG	450°F Max Temp



### Warranty

See warranty information for more details.

All dimensions listed are nominal. MAINLINE® reserves the right to make product and material changes at any time without notice.



Contact your sales representative for more information or visit our website at [mainlinecollection.com](http://mainlinecollection.com)