

Push Connect® Brass 90 Degree Reducing Elbows

Product Specifications



PRODUCT FEATURES

- Forged Lead Free* Brass
- Maximum Working Pressure: 200 PSI
- Maximum Temperature Rating: 200° F
- Compatible with Copper, CPVC, PEX & PE-RT
- Replaceable O-Ring Seal Design
- Removable and Reusable
- Push to Connect
- Full Flow
- Available with Pre-Inserted Stiffener

APPROVED APPLICATIONS

- Plumbing
- Heating
- Irrigation
- Underground
- Hydronic Heating
- Behind Walls without Access Panel

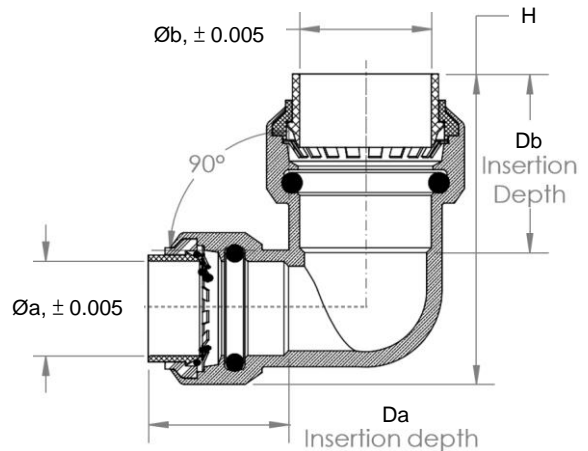
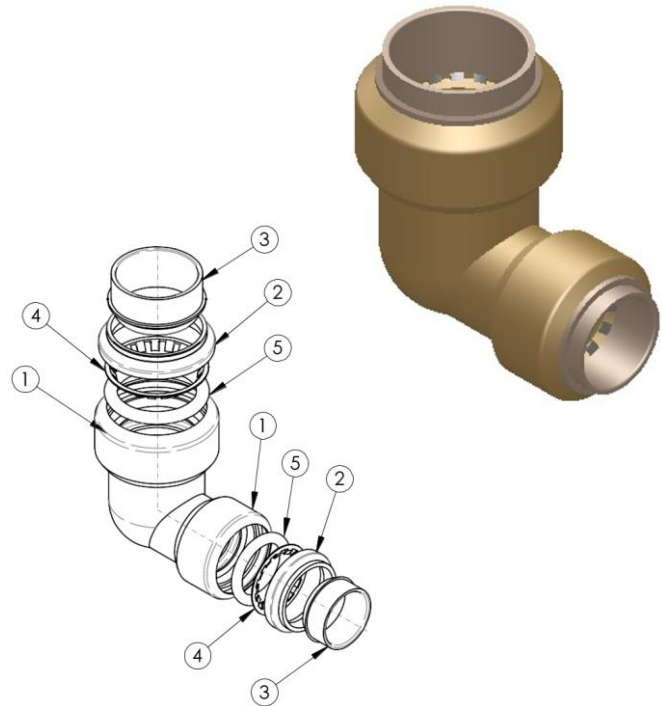
NOTE: When using PEX, a tube stiffener should be inserted into the PEX tubing end prior to insertion into the fitting.

MATERIALS & SPECIFICATIONS

| # | Component | Material |
|---|-------------|-----------------|
| 1 | Body | Lead Free Brass |
| 2 | Seat Ring | POM |
| 3 | Push Ring | POM |
| 4 | Grip ring | Stainless Steel |
| 5 | O-Ring Seal | EPDM70 |

DIMENSIONS

| # | Øa | Øb | Da | Db | H |
|------------|------|------|----|------|------|
| MLU274LF | 0.64 | 0.88 | 1 | 1.06 | 2.14 |
| MLU274LF-S | 0.64 | 0.88 | 1 | 1.06 | 2.14 |



| ✓ To Submit | Part # | Size |
|-------------|------------|--------------------------|
| | MLU274LF | 3/4" x 1/2" |
| | MLU274LF-S | 3/4" x 1/2" w/ Stiffener |

FORCES FOR MECHANICAL SEPARATION TEST

| Nominal Size | Longitudinal (Pull) Test | | |
|--------------|--------------------------|-----|--------|
| | Inches | mm | Lbf |
| 1/2 | 13 | 150 | 667 |
| 3/4 | 19 | 275 | 1223.2 |

Warranty

See warranty information for more details.

All dimensions listed are nominal. MAINLINE® reserves the right to make product and material changes at any time without notice.



Contact your sales representative for more information or visit our website at mainlinecollection.com