



MAINLINE®

Push Connect® Brass MIP Reducing Adapters

Product Specifications

PRODUCT FEATURES

- Forged Lead Free* Brass
- Maximum Working Pressure: 200 PSI
- Maximum Temperature Rating: 200° F
- Compatible with Copper, CPVC, PEX & PE-RT
- Replaceable O-Ring Seal Design
- Removable and Reusable
- Push to Connect
- Full Flow
- Available with Pre-Inserted Stiffener

APPROVED APPLICATIONS

- Plumbing
- Heating
- Irrigation
- Underground
- Hydronic Heating
- Behind Walls without Access Panel

NOTE: When using PEX, a tube stiffener should be inserted into the PEX tubing end prior to insertion into the fitting.

MATERIALS & SPECIFICATIONS

#	Component	Material
1	Body	Lead Free Brass
2	Seat Ring	POM
3	Push Ring	POM
4	Grip ring	Stainless Steel
5	O-Ring Seal	EPDM70

DIMENSIONS

#	Ø	D	L
MLU116LF	0.64	1	1.8
MLU116LF-S	0.64	1	1.8

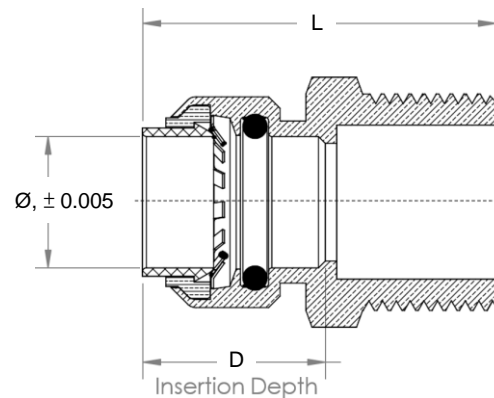
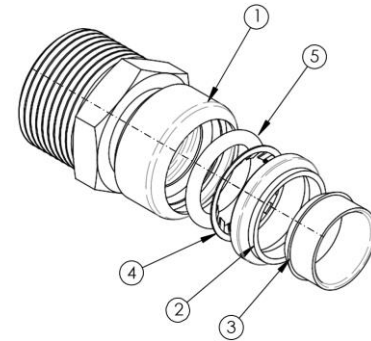
✓ To Submit	Part #	Size
	MLU116LF	3/4" x 1/2"
	MLU116LF-S	3/4" x 1/2" w/ Stiffener

Warranty

See warranty information for more details.

All dimensions listed are nominal. MAINLINE® reserves the right to make product and material changes at any time without notice.

Contact your sales representative for more information or visit our website at mainlinecollection.com



FORCES FOR MECHANICAL SEPARATION TEST

Nominal Size		Longitudinal (Pull) Test	
Inches	mm	Lbf	N
1/2	13	150	667
3/4	19	275	1223.2

