



MAINLINE®

Universal Exposed Trap Urinal

Product Specifications

Features

- Grade A Vitreous China
- 0.5 GPF (1.9 LPF) High Efficiency or 1.0 GPF (3.8 LPF) Standard Urinal
- Washout Flush Action
- Outlet spud with 1-1/2" tubing tailpiece
- Flushing Rim
- Mounting Hardware included
- For Concealed Carrier Installation
- Integral Strainer
- Flush Valve not included

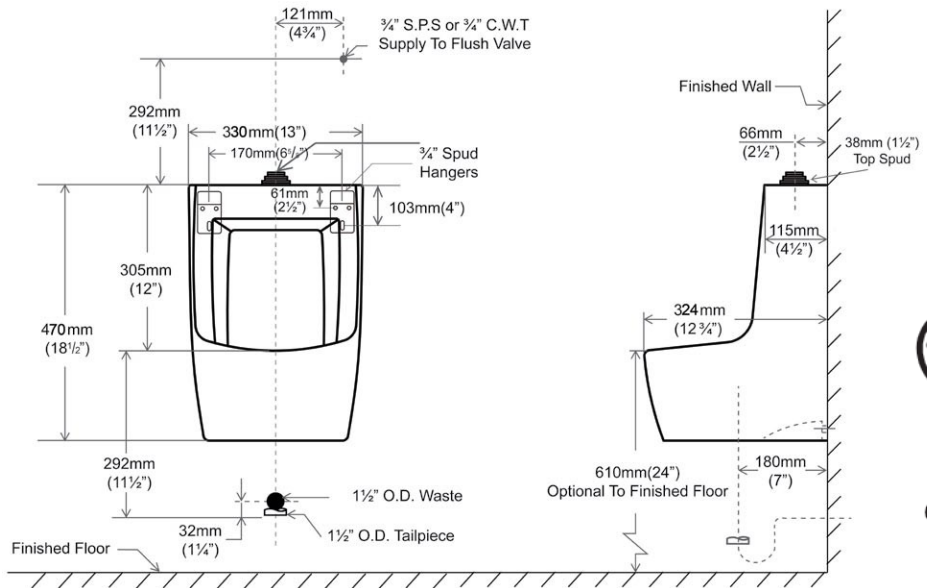
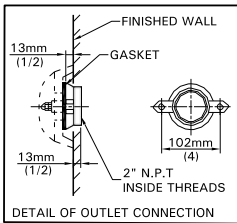


MLS10414



Certifications

- IAPMO UPC
- US EPA WaterSense
- ASME A112.19.2
- IAPMO Green,
- Calgreen



To Submit	Part No.	A	B	C	D	E	F
	MLS10414	12-3/4"	12-5/8"	18-1/2"	12-1/4"	6-5/8"	3-3/8"



All dimensions listed are nominal. Mainline® reserves the right to make product and material changes at any time without notice.

Contact your sales representative for more information or visit our website at mainlinecollection.com

Revised 8/9/2021