



# Push Connect<sup>®</sup> Copper 90 Degree MIP Elbow

## Product Specifications

### PRODUCT FEATURES

- Lead Free\* Copper
- Maximum Working Pressure: 250 PSI [17.3 bar]
- Maximum Temperature Rating: 250° F [121° C]
- Compatible with Copper, CPVC, PEX & PE-RT
- Replaceable O-Ring Seal Design
- Installs in Wet or Dry System
- Removable and Reusable
- Push to Connect
- Dual Seal
- Full Flow

### APPROVED APPLICATIONS

- Plumbing
- Heating
- Irrigation
- Underground
- Hydronic Heating
- Behind Walls without Access Panel

NOTE: When using PEX, a tube stiffener should be inserted into the PEX tubing end prior to insertion into the fitting.

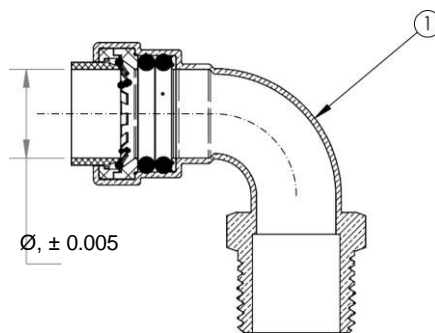
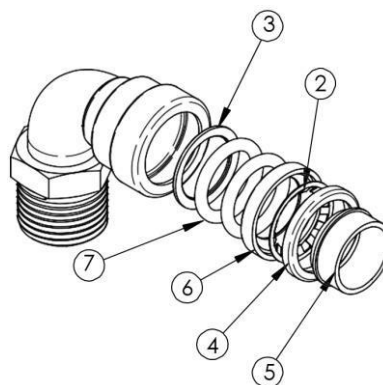
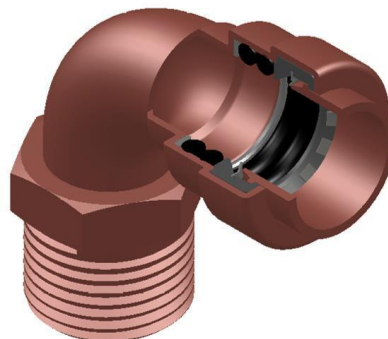
### MATERIALS & SPECIFICATIONS

#	Component	Material
1	Body	Copper
2	Grip Ring	Stainless Steel
3	O-Ring Spacer	Nylon 6-6
4	Seat Ring	Nylon 6-6
5	Push Ring	POM
6	Spacer Gland	Nylon 6-6
7	O-Ring Seal	EPDM70

### FORCES FOR MECHANICAL SEPARATION TEST

Nominal Size		Longitudinal (Pull) Test	
Inches	mm	Lbf	N
1/2	13	150	667
3/4	19	275	1223.2
1	25	475	2112.8

✓To Submit	Part #	Size
	MLCHME33	1/2" x 1/2"
	MLCHME44	3/4" x 3/4"



### Warranty

See warranty information for more details.

All dimensions listed are nominal. MAINLINE<sup>®</sup> reserves the right to make product and material changes at any time without notice.



Contact your sales representative for more information or visit our website at [mainlinecollection.com](http://mainlinecollection.com)