

Freestanding Tub

LUXART® *AltaBella*

Product Specifications

LUXART®

AZIBO

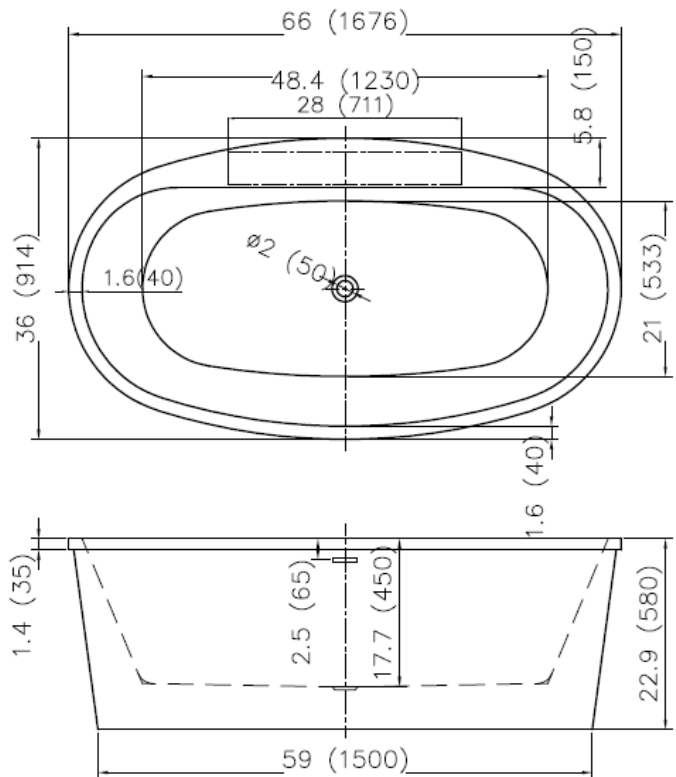
AZIBO6636

Luxart® ALTABELLA tubs are made from vacuum-formed acrylic sheets and have a deep, durable color layer. These versatile tubs are strong and lightweight, serving as the centerpiece of your bathroom. Pour into an AltaBella bath and enjoy a generous, deep soak like no other.



TECHINICAL SPECIFICATIONS

Height	580 mm / 22.9 in
Width	914 mm / 36 in
Depth	450 mm / 17.7 in
Length	1676 mm / 66 in
Weight	97.00 pounds
Shipping Weight	114.92 pounds
Capacity (full)	97 Gallons
Capacity (to overflow)	83 Gallons
Drain	Center
Overflow	Integrated



APPLICABLE STANDARDS/CODES

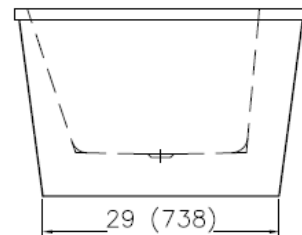
Specified model meets or exceeds the following:

- CSA B45.5-11/IAPMO Z124

Warranty

See warranty information for more details.

All dimensions listed are nominal. LUXART® reserves the right to make product and material changes at any time without notice.



Contact your sales representative for more information or visit our website at luxartcollection.com

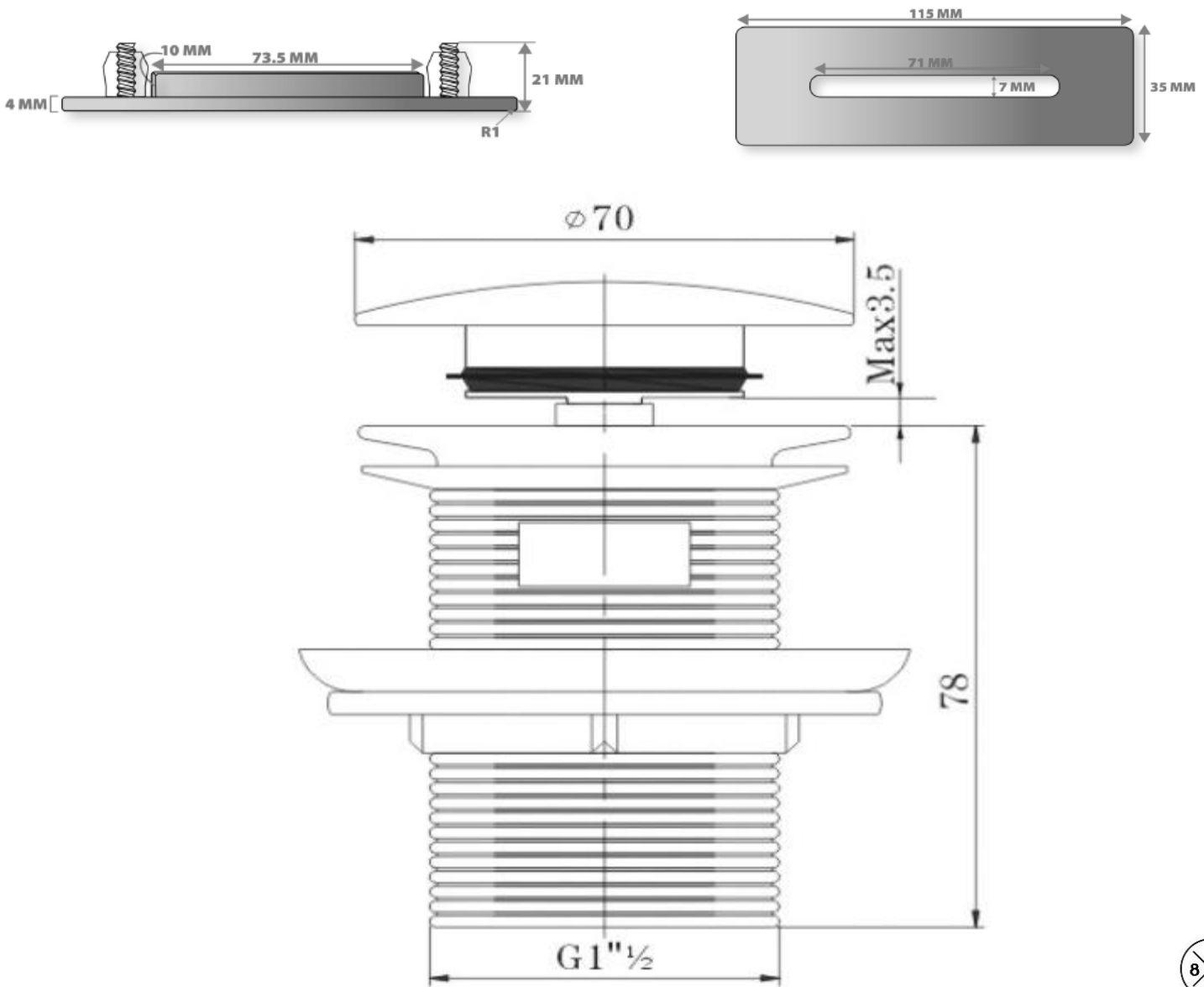
Freestanding Tub

LUXART® *Alta Bella*

Product Specifications

TECHINCAL SPECIFICATIONS

Metal overflow drain cover. Integral bathtub drain assembly with integral overflow holes. Metal pop-up drain cover. Drain cover is interchangeable with different finish colors, purchased separately. Made of brass and metal components.



Contact your sales representative for more information or visit our website at luxartcollection.com

