

SILGRANIT®

Round Bar Sink Dual Mount

Product Specifications

L U X A R T.

MODELS

LX511632 Round Bar Sink, 6-5/8" bowl depth, ANTHRACITE
LX515803 Round Bar Sink, 6-5/8" bowl depth, CAFÉ BROWN
LX511631 Round Bar Sink, 6-5/8" bowl depth, WHITE
LX513381 Round Bar Sink, 6-5/8" bowl depth, BISCUIT
LX513382 Round Bar Sink, 6-5/8" bowl depth, METALLIC GRAY
LX517143 Round Bar Sink, 6-5/8" bowl depth, BISCOTTI
LX517699 Round Bar Sink, 6-5/8" bowl depth, TRUFFLE
LX518911 Round Bar Sink, 6-5/8" bowl depth, CINDER



Model LX511632 shown in ANTHRACITE

FEATURES

- Required outside cabinet: 18" (drop-in), 21" (undermount)
- 80% solid granite
- Heat resistant up to 536°F
- Unsurpassed cleanability backed by industry leading 7 patents!
- Resistant to scratches, stains and all household acids and alkali solutions
- Template provided for drop-in only
- Undermount clips NOT included
- Undermount template must be created by fabricator
- Limited lifetime warranty

CODE/STANDARDS COMPLIANCE

ANSI Z124.6-97
IAPMO/UPC listed

NOMINAL DIMENSIONS

OVERALL	CUTOUT SIZE	BOWL DEPTH	DRAIN DIAMETER
17-11/16"	16-15/16"	6-5/8"	3-1/2"

DFX cutout templates available on our website

Contact your sales representative for more information or visit our website at luxartcollection.com

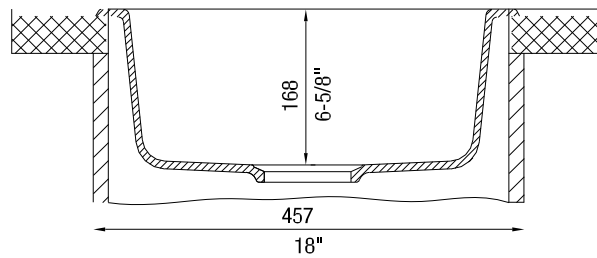
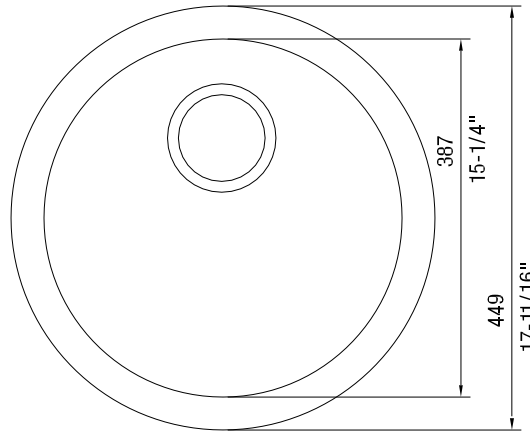
Revised 03-2017

SILGRANIT®

Round Bar Sink Dual Mount

Product Specifications

LUXART®



Contact your sales representative for more information or visit our website at luxartcollection.com

Revised 03-2017