

SILGRANIT®

Bar Sink Dual Mount

Product Specifications

L U X A R T.

MODELS

LX440204 Bar Sink, 8" bowl depth, ANTHRACITE
LX440202 Bar Sink, 8" bowl depth, CAFÉ BROWN
LX440205 Bar Sink, 8" bowl depth, WHITE
LX440206 Bar Sink, 8" bowl depth, BISCUIT
LX440203 Bar Sink, 8" bowl depth, METALLIC GRAY
LX441219 Bar Sink, 8" bowl depth, BISCOTTI
LX441295 Bar Sink, 8" bowl depth, TRUFFLE
LX441477 Bar Sink, 8" bowl depth, CINDER



Model LX440204 shown in ANTHRACITE

FEATURES

- Required outside cabinet: 15" (drop-in), 17" (undermount)
- 80% solid granite
- Heat resistant up to 536°F
- Unsurpassed cleanability backed by industry leading 7 patents!
- Resistant to scratches, stains and all household acids and alkali solutions
- Template provided
- Undermount clips NOT included
- 1/2" deck thickness
- Versatile dual deck design can be installed as a drop-in or undermount
- Limited lifetime warranty

OPTIONAL ACCESORIES

- Blanco Sink Grid: 221012

CODE/STANDARDS COMPLIANCE

ANSI Z124.6-97
IAPMO/UPC listed

NOMINAL DIMENSIONS

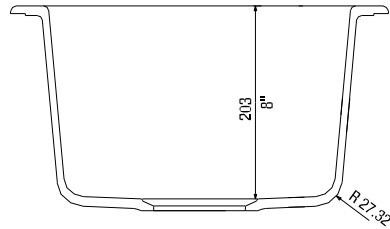
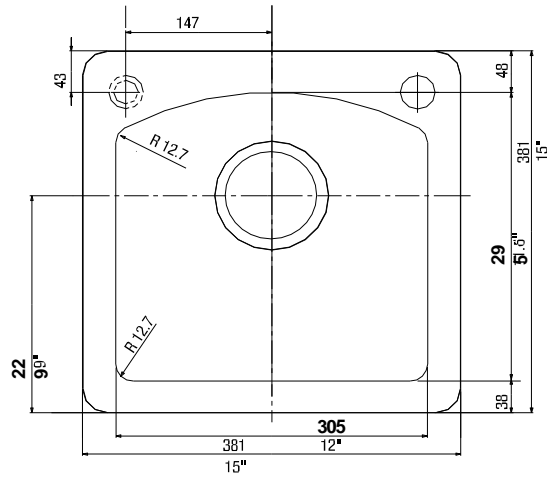
OVERALL	CUTOUT SIZE	BOWL DEPTH	DRAIN DIAMETER
15"X15"	14-1/4"x14-1/4"	8"	3-1/2"

DFX cutout templates available on our website

Contact your sales representative for more information or visit our website at luxartcollection.com

Revised 03-2017

SILGRANIT®
Bar Sink Dual Mount
Product Specifications



Contact your sales representative for more information or visit our website at luxartcollection.com

Revised 03-2017