

Installation / Installation / Instalación

These instructions are for installing Luxart SILGRANIT® sinks. Drop-in sinks are sinks that are installed from above the countertop and sealed to the top of the counter. If you are installing another type of sink, such as an Undermount sink which sits below the countertop, please refer to instructions specifically for those sinks.

Templates are supplied only as a guide. The physical use of the sink will ensure a more accurate cutout.

Note: It is recommended that all countertops be cut by an approved or certified installer and that the sinks be installed by the installer whenever possible. The countertop/sink unit ideally should be installed as one on the jobsite.

Before installing the sink, inspect it for damage. Do not install a damaged unit. Remember, it is your responsibility to follow all local plumbing and building codes. The warranty will be voided if these installation instructions are not followed.

TOOLS AND MATERIALS YOU WILL NEED

TOOLS AND MATERIALS YOU WILL NEED	
Eye protection (safety glasses/goggles) strongly recommended	Slotted screwdriver medium size, long blade/ easiest
Ear protection strongly recommended	Tape measure
Drop-in template supplied by Luxart	Pencil (not permanent marker)
Drop-in mounting clips available from Blanco	Ball peen hammer (6 oz.)
Cutting tool and blades appropriate for the countertop material	File
	Appropriate sealant for countertop material
Drill and drill bit	Rags
Wood braces	

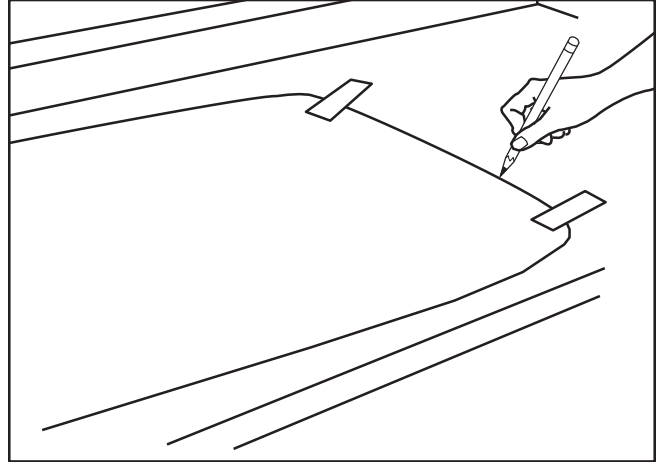
STEP 1 (Recommended for professional installers only.)

Cut out the template and place it on the countertop, making sure that the sink front is parallel to the front of the counter. Be sure the sink is properly centered, both front to back and side to side.

Check for adequate clearance relative to cabinet walls and pull-out or tilt-down drawers.

Tape the template in place.

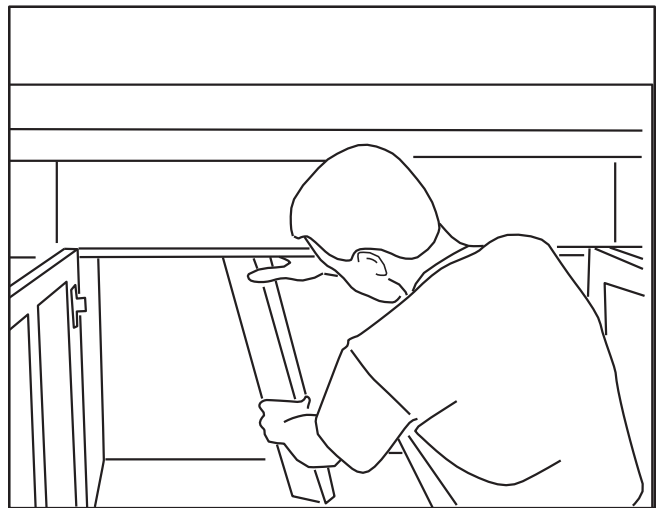
Trace around the template.



STEP 2 (Recommended for professional installers only.)

Place a brace under the countertop to support the sink cutout area. This will also make it easier to do the sink cutout.

Cut the countertop along the template line with the proper tool for the countertop material.

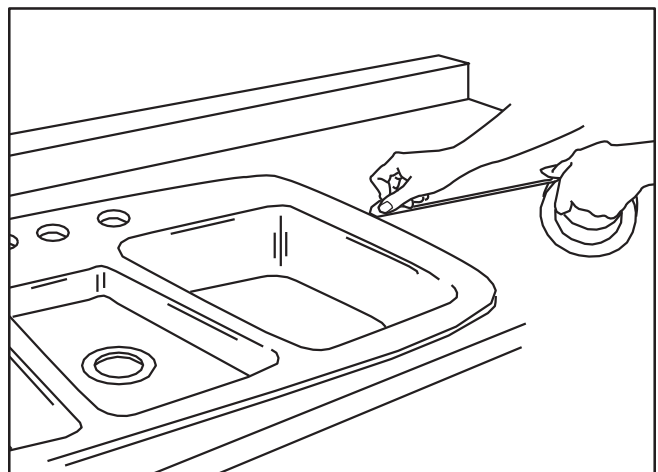


STEP 3 (Recommended for professional installers only.)

Trial fit the sink, by inserting it into the countertop to test whether the cutout is the correct size.

Mark the edge of the sink with masking tape on the countertop.

Remove the sink and make any necessary adjustments in the cutout or placement. (The easiest way to handle the sink is via the drain hole or holes, especially if it's a double-bowl model.)



STEP 4 (Recommended for professional installers only.)

Install faucets and other accessories such as a side spray or soap/lotion dispenser onto the sink. (Do not install drainer basket until after the sink is in place.)

ADDITIONAL HOLE KNOCKOUTS**FOR SILGRANIT® SINKS**

Please be sure to make any additional accessory holes before sink installation.

- 1) Holes for faucet fixtures and accessories have been pre-drilled from underneath and are marked on the the top surface by white dots centered above the holes. Make sure you check the current position of the dots before you hammer, as dots may shift in very hot weather.
- 2) Put the foam packing parts back into the box and place sink on top of box.
- 3) Tap the white dots over the pre-cut holes lightly with a 6 ounce ball peen hammer *(while holding your hand against the underside of the hole to support the sink)*.
- 4) Trim the hole with the small end of the ball peen hammer or use a fine file.

WARNING: WARRANTY WILL BE VOIDED IF THESE INSTRUCTIONS ARE NOT FOLLOWED.

STEP 5 (Recommended for professional installers only.)

Snap mounting clips into position on the sink at evenly spaced intervals.

STEP 6 (Recommended for professional installers only.)

Run a bead of the appropriate sealant inside the masking tape.

STEP 7 (Recommended for professional installers only.)

Lower the sink into the hole, following the guidelines created by the masking tape.

Turn mounting clips against the underside of the countertop and tighten with screwdriver.

NOTE: Do not fully tighten one clip at a time. Partially tighten a clip, then partially tighten the clip across from it. After each clip is partially tightened, repeat the process, fully tightening each clip. This ensures a secure installation and avoids damage to the sink.

STEP 8 (Recommended for professional installers only.)

Remove excess sealant if any.

Install strainer basket.

LEGAL DISCLAIMER

All technical data and information provided in this publication is done as a public service to customers of Blanco America, Inc. ("Blanco") and consumers of our products. All names, designs, and model numbers of products are trademarks of Blanco. Prices and specifications of Blanco's products are subject to change without notice or obligation. Blanco may also change or discontinue models of its products without notice or obligation. While Blanco endeavors to provide you with accurate information and descriptions of its products, accuracy and completeness cannot be guaranteed. Blanco is not responsible for, nor does it have any liability for any mistakes or typographical errors, including liability for incidental, consequential, or special damages. All products should be inspected and measured promptly upon delivery and certainly before any improvements or alterations are done in anticipation of or preparation for installation. Blanco assumes no liability for the use of such information or for any damages incurred through its use or application.

Nothing contained in this publication is to be construed as contractual or providing any form of warranty or representation on the part of Blanco. **BLANCO MAKES NO WARRANTIES, EXPRESS OR IMPLIED, INCLUDING BUT NOT LIMITED TO ANY WARRANTY OF MERCHANTABILITY OR OF FITNESS FOR A PARTICULAR PURPOSE, AS TO THE INFORMATION CONTAINED HEREIN OR THE PRODUCTS DESCRIBED HEREIN.**

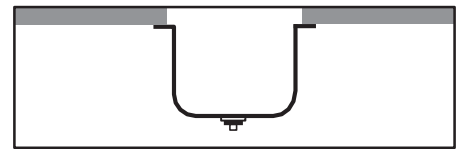
Installation / Installation / Instalación

These instructions are for installing Luxart® Undermount SILGRANIT® sinks. Undermount sinks are sinks that are mounted from **below** the countertop. If you are installing another type of sink, such as a Drop-In sink which is installed on top of the counter, please refer to instructions specifically for those sinks.

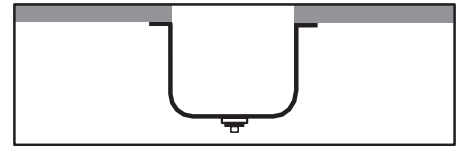
Luxart® Undermount sinks can be installed with three different reveals - Positive, Zero, or Negative - each creating a distinctive look where the countertop and sink meet (see diagram) . Deciding on your preferred look must be done prior to installation.

Positive Reveal - The countertop edge sits approximately 1/8" **back** from the edge of the sink, exposing the sink rim. All Luxart® undermount sinks feature a 1" finished rim.

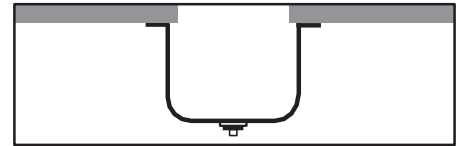
All Luxart® undermount sinks feature an approximate 1/8" positive reveal.



Zero Reveal - The countertop meets the edge of the sink, fitting flush with the sink bowls.



Negative Reveal - The countertop extends over the edge of the sink on all sides by approximately 1/8". Use caution with this installation to be sure that accessories such as colanders or cutting boards will fit properly.



Templates are supplied only as a guide. The physical use of the sink will ensure a more accurate cutout.

The instructions that follow are for installing a Luxart® undermount SILGRANIT® in a solid surface countertop only. Minimum thickness of the actual countertop material is one half-inch. In addition, a one-inch build up around the sink is preferred.

Luxart® recommends that undermount sinks and routing of your solid surface material should be installed by a professional installer for best results.

Requirements vary for installation in a granite, marble, stone, or butcher block countertop. Please contact your fabricator for specific details.

Before installing, inspect the sink for damage. Do not install a damaged unit.

Remember, it is your responsibility to follow all local plumbing and building codes.

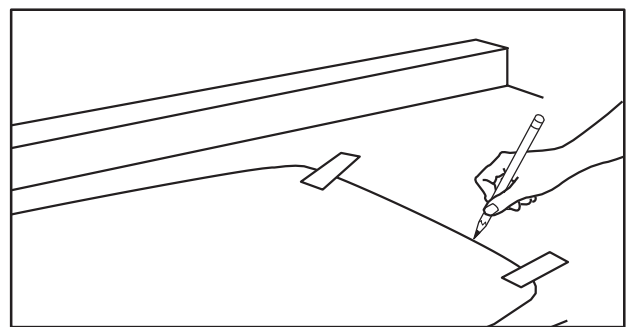
The warranty will be voided if these installation instructions are not followed.

TOOLS AND MATERIALS YOU WILL NEED	
Eye protection (safety glasses/goggles) strongly recommended	Ball peen hammer (6 oz.)
Ear protection strongly recommended	File
	Slotted screwdriver
Undermount template supplied by Luxart®	Tape measure
Undermount clips supplied by Luxart®. (NOTE: these come with the sink and are in a separate plastic bag. Please make sure they are not thrown away with the carton.)	Drill and drill bit
	Stop block (for drilling holes of a consistent depth)
	Router
3/8" thick plywood sheet for cutting a template	5/8" template guide with straight fluted router bit
Two 6-inch bar clamps	
Framing square	Rags
Pencil (not permanent marker)	Denatured alcohol
Silicone adhesive sealant	Wood braces

STEP 1 (Recommended for professional installers only.)

Create a template.

Using a framing square, draw a line from front to back on the bottom of the countertop, indicating the location of the center of the sink.



Draw a line parallel to the front edge of the countertop, indicating how far back the sink should be located. Typically the setback is 2" to 2-1/2" from the front of the counter, depending on the countertop overhang, the type of sink bowl and the size of the sink deck.

To create a template, turn the sink upside down on the piece of plywood and draw around it. Or place template transfer paper or cardboard template on plywood. NOTE: paper and cardboard templates are supplied only as a guide. Using the actual sink ensures a more accurate cutout.

Mark the centerpoint of the sink on the template.

STEP 1, cont.

If you are using a 5/8" template guide on your router, draw another line 1/16" outside the sink outline (this allows for the 5/8" template guide). If you are using other cutting methods, adjust accordingly.

CAUTION: Be sure to cut on the inside of the template line to obtain your desired reveal.

Adjust the template size to allow for the type of reveal (overhang or positive reveal).

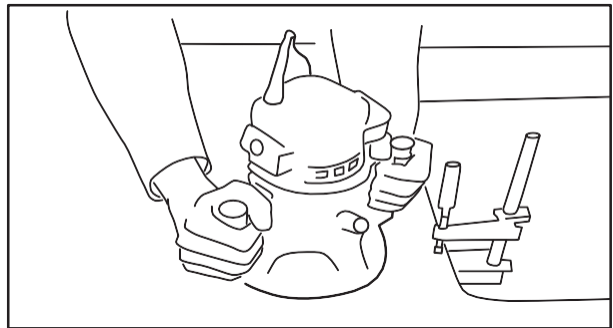
Cut the plywood template, paying particular attention to the corner radius.

STEP 2 (Recommended for professional installers only.)

Make the sink cutout.

Find the center of the sink template and align it with the center mark drawn on the countertop. Place the template with the front edge along the front edge line drawn on the countertop.

Secure the plywood template to the countertop using 6" bar clamps. Place the router over the plywood template and cut around it, making sure the router follows the edge of the template. This creates the sink cutout.



Finish the inside of the sink cutout according to the recommendations of the countertop material supplier.

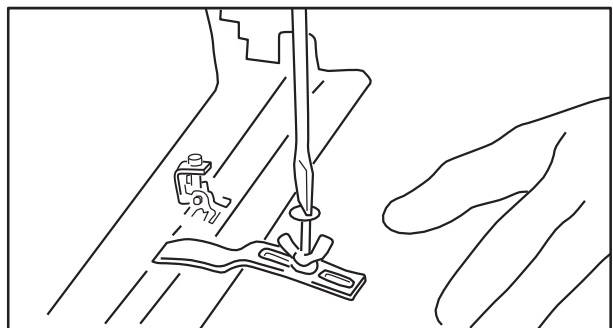
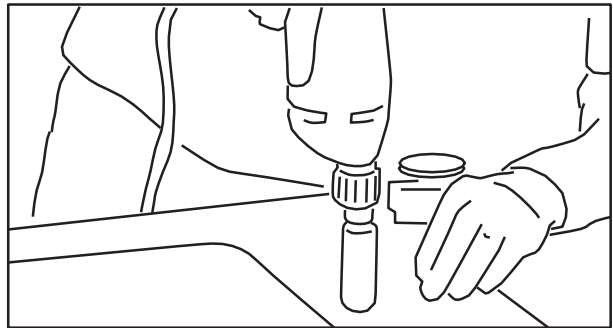
STEP 3 (Recommended for professional installers only.)

Attach the undermount clips.

Position bowl so that reveal is equidistant. Then on underside of countertop, drill holes for brass inserts for undermount clips. Use a drill bit with stop block to avoid drilling through the top. For 1/2" countertop material, drill 3/8" deep holes.

Use three clips on the long sides of the sink, and two clips on the short sides of the sink, or follow the locations on the template that comes with the sink. Drill the holes 1" back from the cutout edge.

NOTE: the undermount clip is 3/4" wide and 2-3/4" in length. The clip may be too long for some installations. If this is the case, make a brace out of wood or solid surfacing, butt it up against the sink, and, on site, screw it into the cabinet wall. Measure the thickness of the brace and the cabinet wall so the screw does not go through to the other side of the cabinet.



STEP 4 (Recommended for professional installers only.)

Install the sink.

Clean the bottom of the countertop and the top flange (or lip) of the sink with denatured alcohol. Then apply a bead of silicone adhesive sealant to the top edge of the bowl flange and position the bowl in the countertop.

STEP 5 (Recommended for professional installers only.)

Tighten the clips.

Tap in the brass inserts (anchors) for clips into the pre-drilled holes with the slotted ends first.

Thread a wingnut onto a screw, up near the head. With washer and slotted clip in place, tighten the screw to anchor the brass clip into the countertop material. Repeat for each clip.

Hand-tighten the wingnuts to secure the sink bowl.

NOTE: do not fully tighten one clip at a time. Partially tighten a clip, then partially tighten the clip across from it. After each clip is partially tightened, repeat the process, fully tightening each clip. This ensures a secure installation and avoids damage to the sink.

Remove excess sealant from the inside lip of the bowl using appropriate cleaner on a clean rag.

LEGAL DISCLAIMER

All technical data and information provided in this publication is done as a public service to customers of Blanco America, Inc. ("Blanco") and consumers of our products. All names, designs, and model numbers of products are trademarks of Blanco. Prices and specifications of Blanco's products are subject to change without notice or obligation. Blanco may also change or discontinue models of its products without notice or obligation. While Blanco endeavors to provide you with accurate information and descriptions of its products, accuracy and completeness cannot be guaranteed. Blanco is not responsible for, nor does it have any liability for any mistakes or typographical errors, including liability for incidental, consequential, or special damages. All products should be inspected and measured promptly upon delivery and certainly before any improvements or alterations are done in anticipation of or preparation for installation. Blanco assumes no liability for the use of such information or for any damages incurred through its use or application.

Nothing contained in this publication is to be construed as contractual or providing any form of warranty or representation on the part of Blanco. **BLANCO MAKES NO WARRANTIES, EXPRESS OR IMPLIED, INCLUDING BUT NOT LIMITED TO ANY WARRANTY OF MERCHANTABILITY OR OF FITNESS FOR A PARTICULAR PURPOSE, AS TO THE INFORMATION CONTAINED HEREIN OR THE PRODUCTS DESCRIBED HEREIN.**



Luxart products manufactured by Blanco will be covered by Blanco's warranty as follows:

WARRANTY AND CLEANING INFORMATION SILGRANIT WARRANTY

BLANCO America carries a **LIMITED LIFETIME WARRANTY ON SILGRANIT®** sinks to be free of all manufacturing defects under normal use. **LIMITED SINK WARRANTY** BLANCO America will replace without charge, (excluding labor & transportation costs) any SILGRANIT® sink supplied by BLANCO America that is proven to be defective within the specified appropriate period from date of purchase, to the original owner, provided it has been used solely in an indoor residential application and installed in accordance with the BLANCO installation instructions, used and cleaned as recommended, and not damaged due to abuse, misuse, or negligence. BLANCO America reserves the right to inspect any sink reported to be defective prior to replacement of the sink. All decisions are final. Replacement cost **EXCLUDES** transportation and any labor costs for the removal or reinstallation. For installed warranty concerns, please contact BLANCO America directly for further information and proper documentation. In the event of a warranty claim, the owner will be required to provide proof of purchase—save sales receipt.

The SILGRANIT® warranty covers scratches, bubbling, thermal cracking, inconsistent color, routing imperfections, surface blemishes and warped decks. Temperatures under 536° (SILGRANIT®) do not affect these products. Temperatures over 536° are not covered. The SILGRANIT® warranty does not cover chipping, cuts and nicks, freight/shipping damage, holes drilled incorrectly, installation damage, scuff marks, using sink for cleaning paint or grout materials. This warranty supersedes all other warranties, expressed or implied. Simple daily cleaning techniques can help keep your sink looking great every day. Please review our cleaning instructions on www.blancoamerica.com for recommended cleaning materials that can be used daily. The foregoing warranties are exclusive and made only for the buyer. **NO OTHER WARRANTY, WHETHER EXPRESS, IMPLIED, OR STATUTORY, INCLUDING ANY WARRANTY OF MERCHANTABILITY OR FITNESS FOR A PARTICULAR PURPOSE SHALL BE DEEMED TO EXIST IN CONNECTION WITH ANY OF THE GOODS OR SERVICES SUPPLIED HEREUNDER, AND ANY IMPLIED WARRANTIES FOR A PERIOD GREATER THAN THE WARRANTY PERIOD CONTAINED IN BLANCO AMERICA'S LIMITED WARRANTY ARE HEREBY EXCLUDED. BLANCO AMERICA INC. SHALL NOT BE LIABLE FOR ANY INDIRECT, INCIDENTAL, SPECIAL OR CONSEQUENTIAL DAMAGES IN ANY WAY RELATED TO THE GOODS OR SERVICES SUPPLIED HEREUNDER. No employee, agent, or other person is authorized to give any warranties on behalf of BLANCO America, Inc. in addition to or different from the herein given to assume for BLANCO America Inc. any other liability in connection with any of its products except if in writing which is signed by an officer of BLANCO America, Inc. and expressly and intentionally gives such warranties or assumes such liability.**

GENERAL CARE & CLEANING

Daily cleaning may be done with any non-abrasive cleaner (i.e. Bar Keeper's Friend, Soft Scrub, Soft Scrub with Bleach, or dishwasher soap). After every use, rinse and wipe the sink dry with a clean, soft cloth to eliminate any water spots or soap film build-ups. Please go to www.BLANCOAMERICA.COM or our YouTube channel for care and cleaning instructions.

REMOVING STAINS AND MINOR SCUFF MARKS:

Please use a mild abrasive cleanser, along with a soft scouring pad. For stubborn stains a solution of 50% bleach, 50% water should only be used for tough, stubborn stains. Let the solution sit in the bottom of the sink for one hour; then scrub. Rinse well. Also, the use of BAR KEEPERS FRIEND (directions included on bottle or can) will help remove stubborn stains. (NOTE: Dark colored sinks must be rinsed thoroughly with hot water).

LUSTER: Mineral oil applied with a damp cloth can be used to restore the luster but is typically not necessary.

MISCELLANEOUS:

To remove Calcium Deposits (a white ring around the bottom of your sink): use LIME AWAY or CLR cleaner. To remove Adhesive Labels: use rubbing alcohol. Note: Always test any stain removers in a small, non-visible location

WHAT NOT TO USE:

- 1) Do not use any abrasive cleaning agents or scrub pads, such as Steel Wool
- 2) Straight bleach
- 3) Commercial alkalis, such as ammonia and/or caustic solutions
- 4) Drain blocking chemicals that involve filling the sink with water
- 5) Do not use the sink for cleaning paint or grout materials

Note: Always test any stain removers in a small, non-visible location

For questions or further information:

BLANCO CUSTOMER SERVICE

CALL: 1-800-451-5782

FAX: 1-800-213-1963

EMAIL: blanco@blancoamerica.com