



# Freshman™

Siphon-jet wall-mount 1 gpf urinal with top spud  
**K-4989-T**

### Features

- Siphon jet.
- 3/4" top spud.
- Includes inlet and outlet spuds and hangers.
- 1.0 gpf (3.8 lpf).

### Material

- Vitreous china.

### Included Components

Additional Components:

- Hanger(s)
- Inlet Spud
- Outlet Spud
- Urinal



### Codes/Standards





ASME A112.19.2/CSA B45.1  
DOE - Energy Policy Act 1992

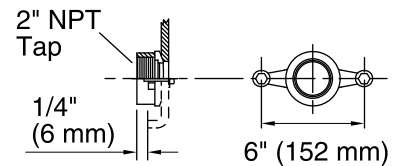
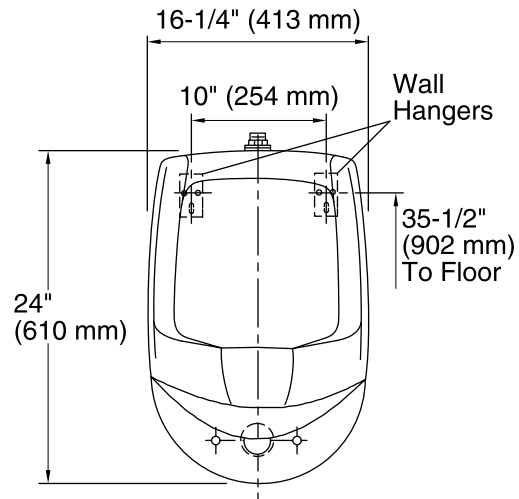
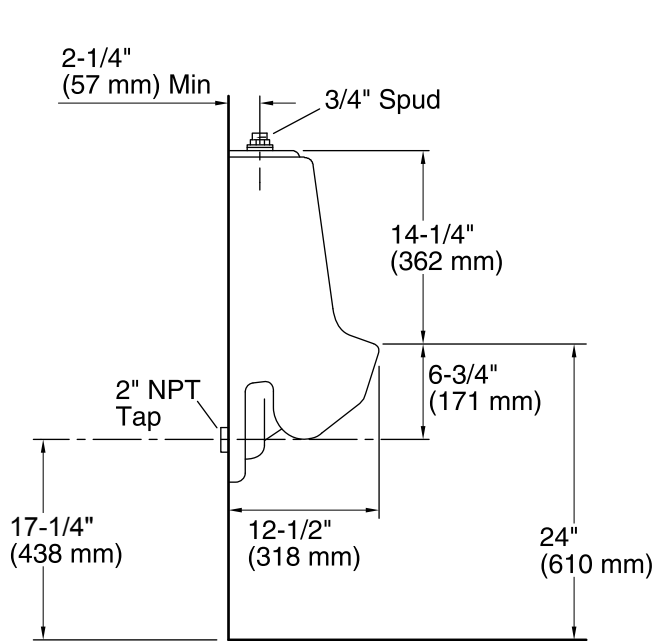
### KOHLER® One-Year Limited Warranty

See website for detailed warranty information.

### Available Colors/Finishes

*Color tiles intended for reference only.*

Color	Code	Description
	0	White
	96	Biscuit
	47	Almond
	7	Black Black™



**Spud Detail**

### Technical Information

All product dimensions are nominal.

- Flush outlet technology: Siphon jet
- Spud size: 3/4, Inlet, Top
- Spud size: 3/4, Outlet, Top
- Max. Water per Flush: 1 gal (3.8 L)

### Notes

- Install this product according to the installation guide.
- Refer to manufacturer's instructions and local codes for flush valve requirements.