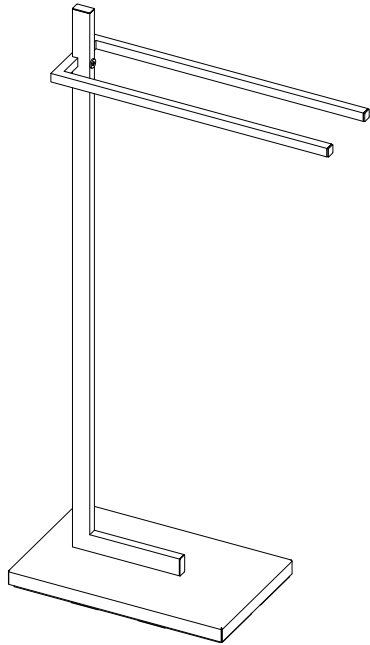


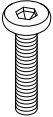


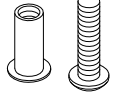
KINGSTON

KITCHEN & BATH

Pedestal Double Towel Rack Installation

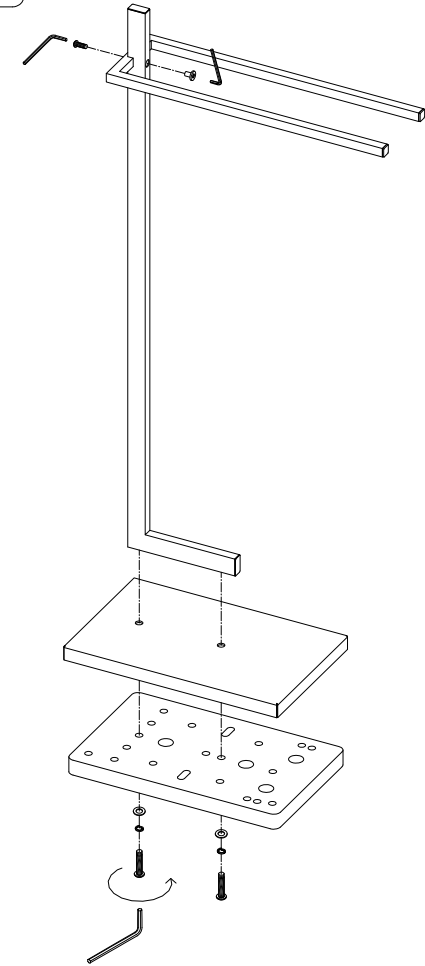


Parts:

Screw(long)	Washer	Sleeve & Screw(short)
	 	
2 Pcs	2 Pcs	1 Pc

www.kingstonbrass.com
TOLL-FREE CUSTOMER SERVICE: 1-877-2-KBRASS
TECHNICAL SUPPORT E-mail: service@kingstonbrass.com
12775 Reservoir Street, Chino, CA 91710

TOOLS REQUIRED



Installation Steps:

- Step 1. Place the base on a flat level surface and install each of the L shaped tube by securing the included long screws and washers onto the bottom of the plate. Tighten each bolt using an Allen wrench.
 - Step 2. Insert the towel bar onto the L shape tube, then sleeves and short screws tightening with an Allen wrench.
- Note: Counterweight has directional and will not well secure to the tube if placed on wrong direction.

Cleaning

Clean with a damp cloth only.
Avoid using metal or abrasive polishes.