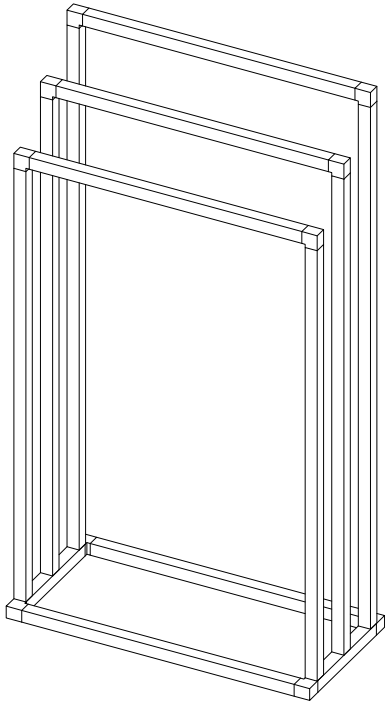


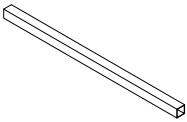
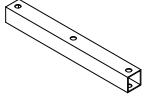
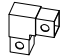
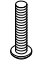

# KINGSTON

KITCHEN & BATH

## Pedestal 3-Tier Steel Frame Towel Rack Installation

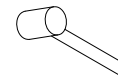


### Parts:

Straight Tube		Base		Two-way connector	
					
A 15-7/8"		2 Pcs		10 Pcs	
B 26"		Screw		Gasket	
C 28-3/4"					
D 31-1/2"		6 Pcs		4 Pcs	

www.kingstonbrass.com  
 TOLL-FREE CUSTOMER SERVICE: 1-877-2-KBRASS  
 TECHNICAL SUPPORT E-mail: service@kingstonbrass.com  
 12775 Reservoir Street, Chino, CA 91710

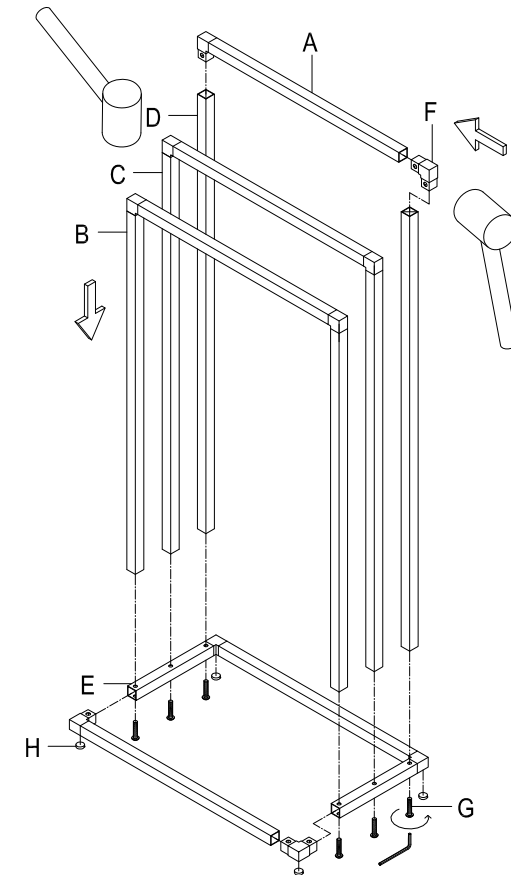
### TOOLS REQUIRED



Rubber Mallet



Allen Wrench



### Installation Steps:

- Step 1. Using a rubber mallet, gently tap the two-way connectors (part F) into the straight tube (part A). Repeat on the other side and for the remaining 4 pieces.
- Step 2. After completing step 1 with parts A. Locate parts B, C, D and E.
- Step 3. Next, locate the base (part E), then the screws (part G) provided and secure them into base (part E) and parts B, C, and D by tightening with an Allen wrench.
- Step 4. To complete the installation, use the gaskets (part H) to cover the 4 exposed holes on the bottom of the base. This helps prevent direct contact with the floorboard and extends product life.

### Cleaning

Clean with a damp cloth only.  
 Avoid using metal or abrasive polishes.