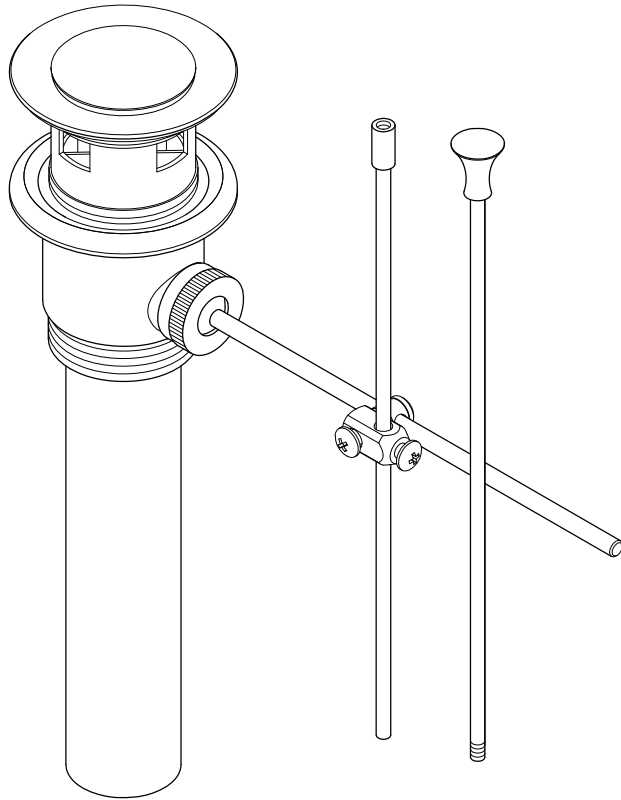


KINGSTON

KITCHEN & BATH



www.kingstonbrass.com

TOLL-FREE CUSTOMER SERVICE: 1-877-2-KBRASS

TECHNICAL SUPPORT E-mail: service@kingstonbrass.com

12775 Reservoir Street, Chino, CA 91710

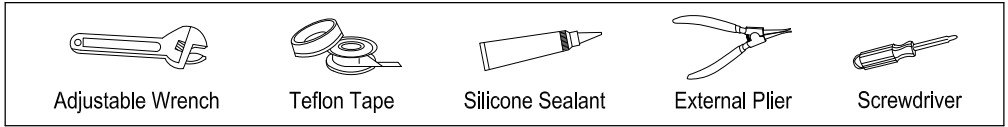
KINGSTON

KITCHEN & BATH

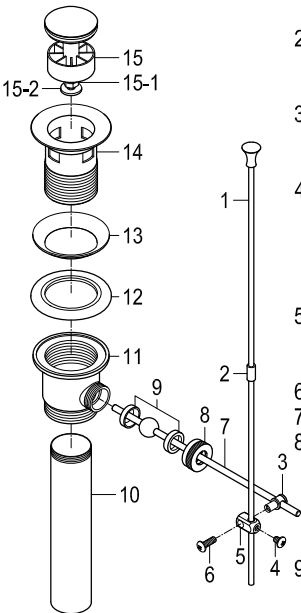
INSTALLATION INSTRUCTIONS

Brass Pop-Up

Need Tools:



INSTALLATION:



- Remove the flange (14), rubber washer (13), plug (15) and gasket washer (12) from drain body (11).
- Insert the flange (14) with rubber washer (13) down into the sink's drain opening.
Make sure the taper surface of rubber washer (13) is facing down.
- Put the gasket washer (12) onto the threads of the flange (14) from the underside of sink. Move up the gasket washer (12) until it fully touches the bottom surface of sink. Make sure the arc surface of rubber is facing up.
- Install drain body (11) onto the flange (14) by thread engagement. Slowly turning the drain body (11) to tighten up. Make sure the side hole of drain body (11) positioned toward the rear wall after tightening up. To adjust the direction, you may need to use a plier with external tips that can go inside the four overflow slots on the flange (14) to help adjust and tighten.
- Remove tailpiece (10) from drain body (11). Apply Teflon tape on the threaded end of tailpiece (10), then thread-connect it onto drain body (11) again.
- Insert the plug (15) into the flange (14).
- Remove the nut (8), plastic bushings (9) and joint (5) from the ball rod (7).
- Place one plastic bushing (9) in the side hole of drain body (11) with its concave surface face out. Insert the short side of ball rod (7) into the side hole of drain body (11). Put the other plastic bushing (9) and nut (8) on the long side of ball rod. Make sure the concave surface of plastic bushing (9) is facing to the ball of ball rod (7). Tighten up the nut (8) by hand.
- Move the ball rod (7) up and down to test the plug (15) can open and close smoothly.
To adjust the opening gap of plug (15), you can loosen and adjust the nut (15-1) and the flat head screw (15-2)
- Connect pop-up rod (1) with extension rod (2). Connect extension rod (2) with ball rod (7) by the joint (5) and adjust properly connection position. Tighten up two screws (4) and (6) on the joint (5) with a screw driver to fix the connection firmly.
- Pull up the pop-up rod (1) to the close position of the plug (15), turn on faucet to full fill water in the sink. Examine to make sure no water comes out from the drain body.
- Push down the pop-up rod (1) to the open position of plug to drain water. Examine to make sure no water leakage around the gasket washer (12). If leakage found, re-assemble drain body (11), the flange (14) and make sure the gasket washer (12) correctly covers up the top of drain body (11).