

Installation Instructions

Rough-in Body Casting

- 1.For installation,the transfer valve is aligned with the Thermostatic & volume control valve(Fig.1)
- 2.The distance from the supply valve center to the transfer valve must have minimum of 16".
- 3.In the finish wall,make a minimum hole of 90mm(3-9/16") diameter of the transfer valve installation.
- 4.The plaster guard is used as the installation guide for valve. The plaster guard should be flushed with the finish wall once the transfer valve is installed.
- 5.With the valve castings inlet and outlet 'arrow' directions, connect the inlet of the transfer valve with the outlet of the supply valve in the 1/2" or 3/4" pipe or tube.
- 6.If the supply valve has 2 outlets, one of these outlets must be plugged.

CAUTION: For CxC (copper to copper) installation, the cartridge must be removed from the valve before heating the valve. Failure to do so will result in cartridge damage.

Please refer to the instructions 'Removing Cartridge for CC Connection/Service.'

Fig.1

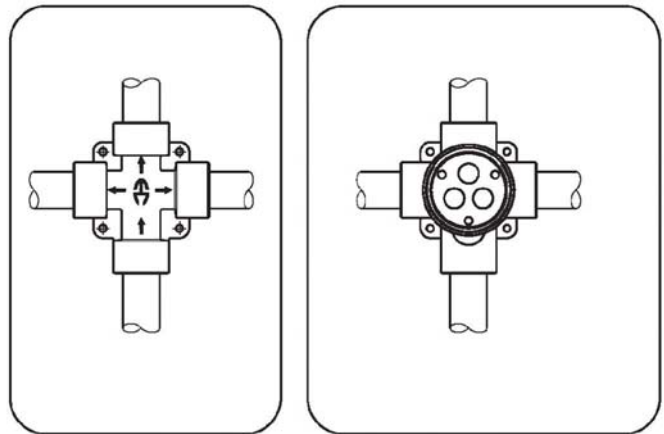
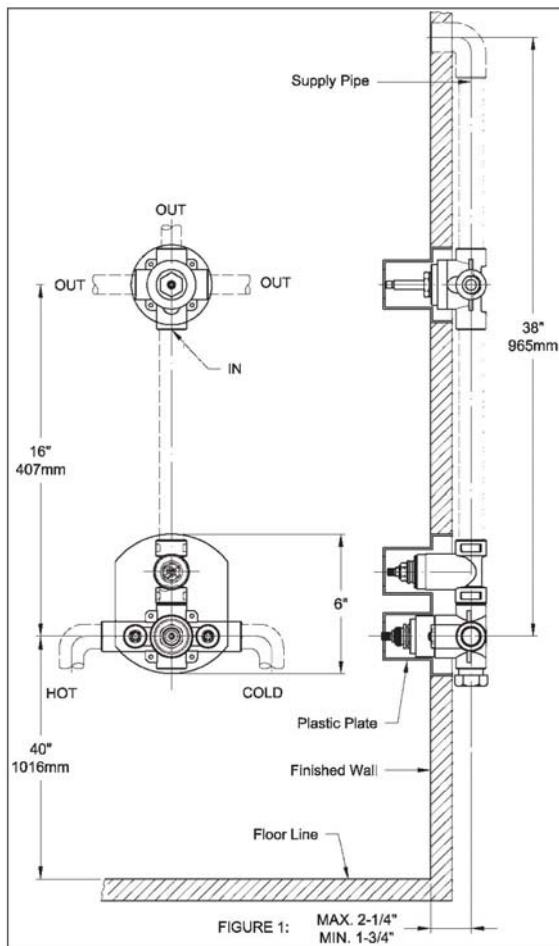


Fig.2

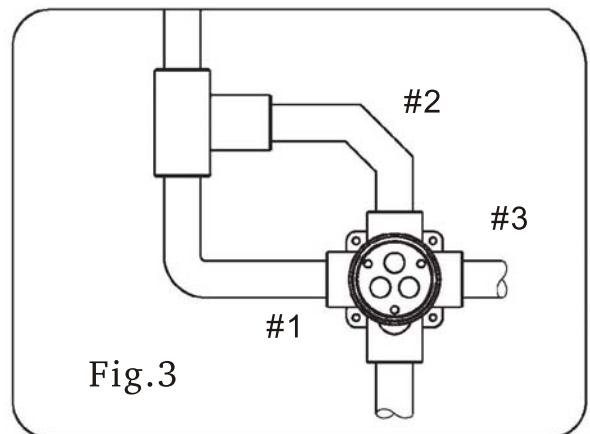


Fig.3

Body Spray Configuration

In order to assure sufficient flow rate from the body spray system, the following notes are important.

- 1.Minimize the distances of the body spray from the transfer valve.
- 2.Minimize the number of turns in the plumbing lines between the body spray and the transfer valve.
- 3.It is recommended that no more than 4 body sprays be used per valve system.
- 4.Do not make any modification to the body spray.

Outlet Connections

1. There are 3 outlets of the transfer valve, providing 3 separate connection (Fig.2)
Each one outlet will connect one end fixture, for example, showerhead, hand shower and the tub spout. (Fig.4)
2. The outlet sequence will start from the left one (#1), then upper one (#2) and then the right one (#3).

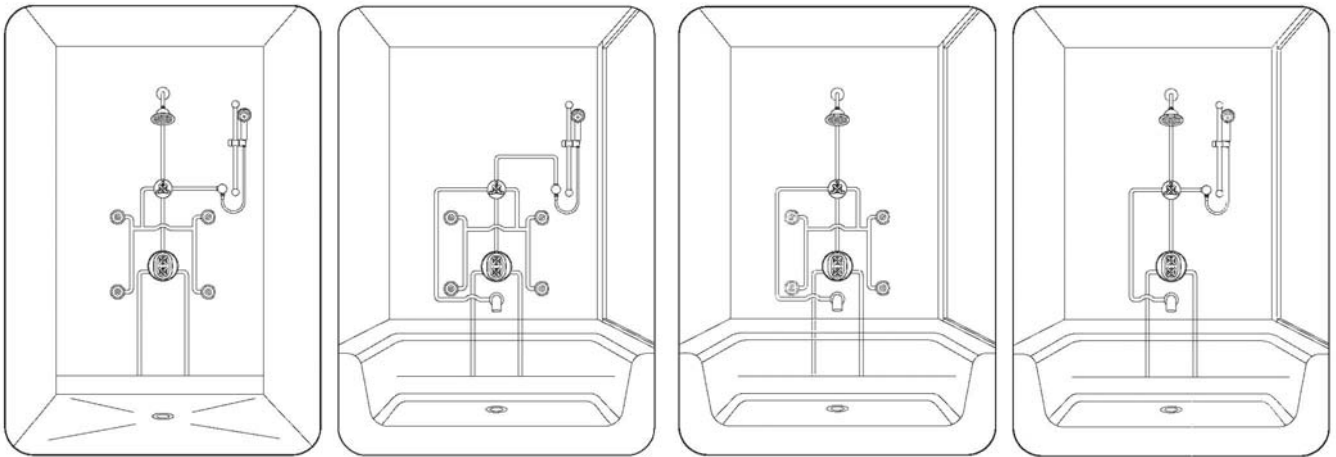
CAUTION: Do not block the outlet, if any outlet is not to be used.

The outlet should be plumbed into the line of one of other outlets.

This transfer valve is not intended to be used as a shut-off valve.

Damage to the shower system may result if the valve is used as a shut-off valve. (Fig.3)

Fig.4



Remove Cartridge for the CC Connection/ Servicing (Fig.5)

1. Remove plaster guard.
2. Remove the finish housing.
3. Release the top cover by wrench in counterclockwise direction.
4. Grasp the cartridge stem and pull out the cartridge.
5. Check the seal is in the correct position.
6. Keep all parts back to the packing box.

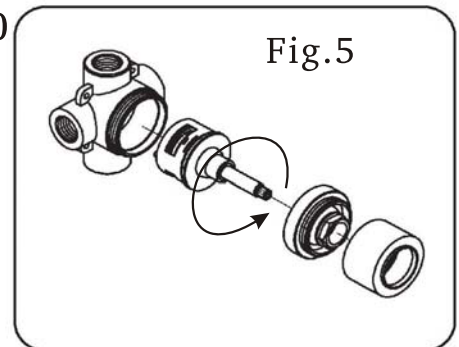


Fig.5

Install Cartridge back into Transfer Valve Body (Fig.6.7)

1. Place the cartridge into the transfer valve body and watch the seal is on the right position.
2. Position the pins correctly as the figure 3 shows and match the body position holes and fit in securely.
3. Reassemble the top cover to the transfer valve by turning it clockwise until hand tight.
4. Then turn additional 1/2 turn with a wrench.

CAUTION: Must take care of the correct handle position/outlet flow designation
Make sure the handle stem is positioned correctly. (Fig.6)

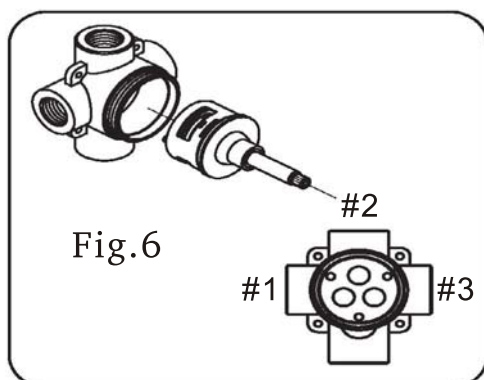


Fig.6

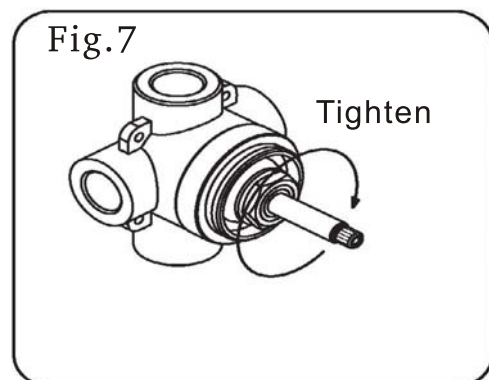


Fig.7

Tighten