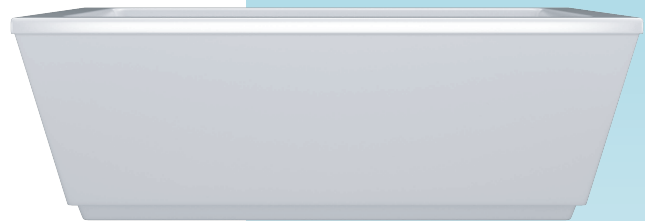




JETTA
AIR HYDROTHERAPY

Cosmo Collection ATLAS



(J860M) 66" x 34" x 23"

APPROX. OPERATING GALLONS: 81
AIR INJECTORS: 36

GENERAL

- Sleek, contemporary look
- High-gloss / high-impact acrylic
- Leveling feet
- Integrated linear waste & overflow
 - Standard Chrome
 - White available

SYSTEM

- Seamless air injectors around tub perimeter
- Highly variable speed blower motor with 600 watt heater:
 - 115 Volt - 10 Amps - 1 HP
- Blower must be remote mounted at installation
- Electronic keypad control with variable speeds and
 - 3 settings - Pulse, Wave, or Continuous

COLORS AVAILABLE

White



COSMO ABOVE FLOOR DRAIN KIT

- Freestanding tub rough-in
- Install before tile
- Designed to be installed in a 8" to 10" joist space
- Can be installed with waterproof membrane

Sold separately.
Not required for tub install



JETTAIR

FOR INFORMATION OR
TO PLACE AN ORDER
CALL 1.800.288.7771


JETTACORP.COM

TECHNICAL SPECIFICATIONS

ATLAS J860M
66" x 34" x 23" RECTANGLE AIR

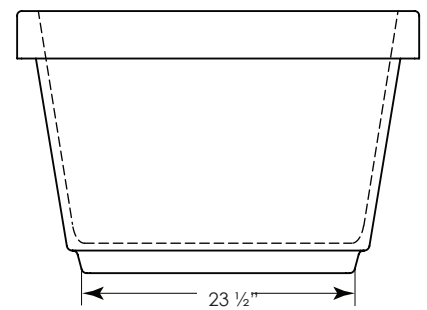
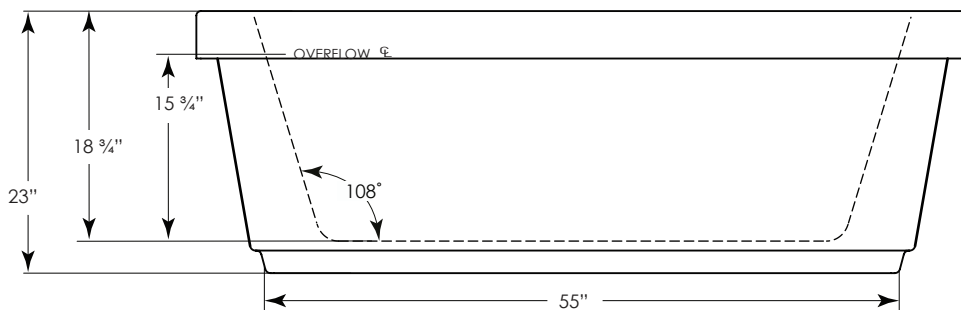
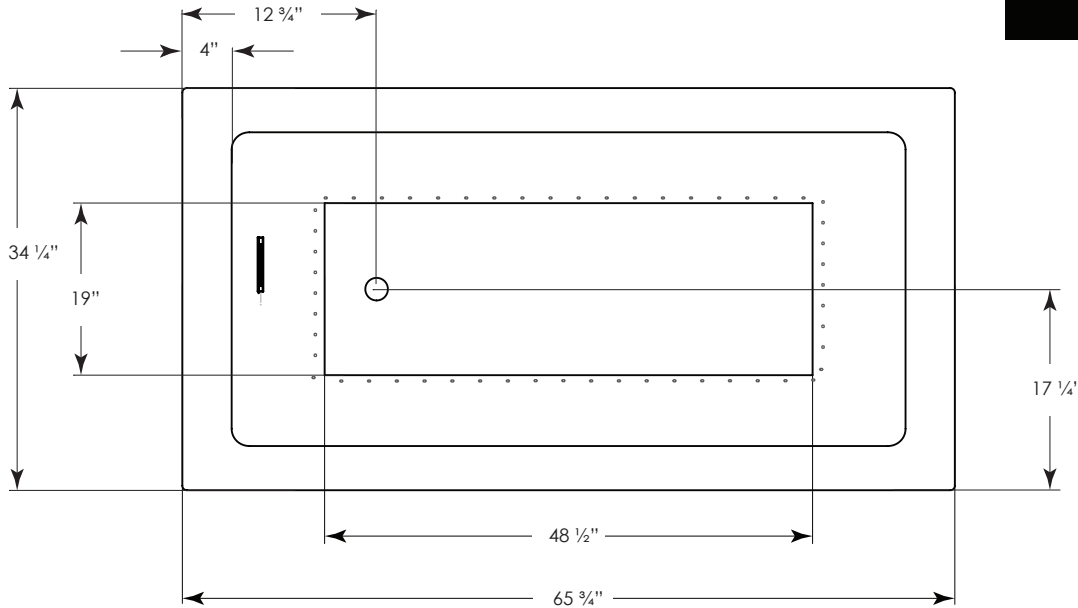
ELECTRICAL SPECIFICATIONS

Required Electrical Service 110/115 Volts
Standard Air 20 amp GFI

Each blower must be protected by a
dedicated GFI breaker (refer to local co
Cannot be more than 15 ft from the tub.

CODES/STANDARDS APPLICABLE

Specific model meets or exceeds the requirements for
the following standards: ANSI, ASME



JETTACORP.COM

INSTALLATION: Measure tub before installing.
Dimensional variance on drawings may be +/- 1/2 inch
and are subject to change without notice

© 2018 Jetta Corporation. All rights reserved.
Specifications are subject to change without notice.
REV 04/2021