

THIS TUB COMES IN THE FOLLOWING LINES

CLASSIC

BIKINI J-15

57" X 38" X 24" END DRAIN



JETTAWHIRL
HYDROTHERAPY

OVAL • 1 PERSON

OPERATING GALLONS
REGULAR USAGE - 40 GAL.



FEATURES

GENERAL

- High-gloss, High-impact, UV-resistant acrylic will not dull or fade
- Suitable for drop-in application
- Slip resistant bottom

SYSTEM

- 5 flow-adjustable and directional jets, including:
 - 1 back jet
 - 2 hip jets
 - 2 foot jets
- 1.5 B.H.P pump - 7.5 Amps
- Passive warm air induction system

COMFORT

- Armrests
- Lumbar back support
- Totally insulated with eco-friendly polyurethane foam for a warmer bathing experience

CLEANLINESS

- Acrylic is easy to clean with standard non-abrasive household cleaning products
- Plumbed with anti-microbial flex piping
- Arched plumbing provides gravity flow draining for sanitary bathing

WARRANTY

10-year limited factory warranty

OPTIONS AVAILABLE

- Mood or LED lights
- Tri-ssage control for pump flow rates
- Bath waste & overflows
- Spa Pillows
- Neck jet therapy system
- Aromatherapy
- 6" acrylic grab bars
- Inline heater
- JettaWarm

TRIM KIT FINISHES

- Polished chrome
- Satin nickel
- Oil rubbed bronze
- Polished brass

COLORS AVAILABLE

STANDARD COLORS

White, Biscuit

DECORATOR COLORS

Bone, Black, Ice Grey

NOW AVAILABLE WITH JETTAWARM



JETTAWARM begins.

JettaWarm is a surface heating system secured beneath the acrylic in a blanket of insulation to provides gentle warmth on the back rest of your tub before your bath begins.

Activates in minutes, bathers can relax from the moment they enter the tub. Soaker tubs have full backrest coverage, while a whirlpool or combo has a system designed to wrap around the hydrotherapy features and warm the acrylic where you need it.



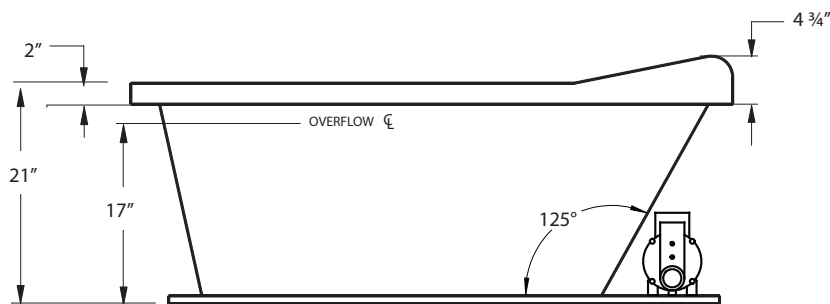
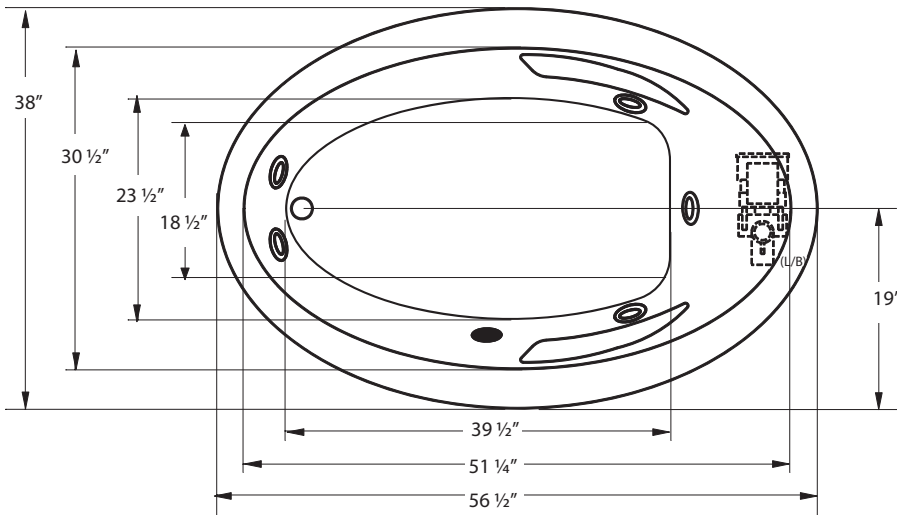
Jetta guarantees that the water in our insulated whirlpool baths will stay within 2 degrees of its original fill temperature for 30 minutes of use without an inline heater.



J-15

Classic Collection **BIKINI**

JETTA WHIRL HYDROTHERAPY | 57" X 38" X 24" | END DRAIN



ELECTRICAL SPECIFICATIONS

Required Electrical Service 110/115 Volts
Whirlpool 20 amp GFI
Each pump must be protected by a dedicated GFI breaker (refer to local codes).

CODES/STANDARDS APPLICABLE

Specific model meets or exceeds the requirements for the following standards: ANSI, ASME

SUGGESTED PUMP ACCESS PANEL

Suggested access size 20" x 12"
Actual size may vary depending on distance of access to pump location.

DROP-IN CUT OUT DIMENSIONS

Template provided with tub or upon request.

SHIPPING WEIGHT 137 lbs

*L/B pump position is standard.
Custom pump locations available upon request.



INSTALLATION: MEASURE TUB BEFORE BUILDING TUB DECK.

For best results, Jetta Corporation recommends 1"-3" of mortar bedding under the tub base for maximum support. Drawing shows manufacturer's standard pump location. Contact Jetta for details. Dimensional variance on drawings may be +/- 1/2 inch and are subject to change without notice.

JETTACORP.COM



© 2017 Jetta Corporation. All rights reserved. Specifications are subject to change without notice.
REV 07/2017

TECHNICAL SPECIFICATIONS