

SHOWER
Full Pressure Balancing System -
Shower and Slidebar with
Handshower (Rough & Trim)
G-7288-LM47S

GRAFF®



Information

- 1/2" pressure balance valve with diverter and trim
- 9" showerhead with 12" wall-mounted shower arm
- Showerhead features no-clog, easy-clean spray nozzles
- Handshower set with wall-mounted slide bar and 59" hose (PVD finishes use 59" flex hose)
- Optional extension kit
- Flow rates: showerhead ≤ 1.8 max gpm, handshower ≤ 1.8 max gpm
- ADA
- CALGreen

SHOWER
 Concealed Pressure Balancing
 Valve Rough w/Diverter
G-7055



Information

- Anti-scald protection
- 1/2" universal inlets/outlets with male threads
- Built-in service stops
- Push-button diverter
- For use with tub & shower configuration
- Supplied with protective plastic guard

Finishes

							
24K Gold	24K Brushed Gold	Brushed Brass PVD	Architectural Black™	Brushed Nickel	Gunmetal	Matte Black	Olive Bronze
							
Onyx PVD®	Polished Brass PVD	Polished Chrome	Polished Nickel	OR'osa PVD®	Unfinished Brass	Unfinished Brushed Brass	Vintage Brushed Brass
							
Architectural White							

G-7055

1/2" Rough Valve w/Diverter



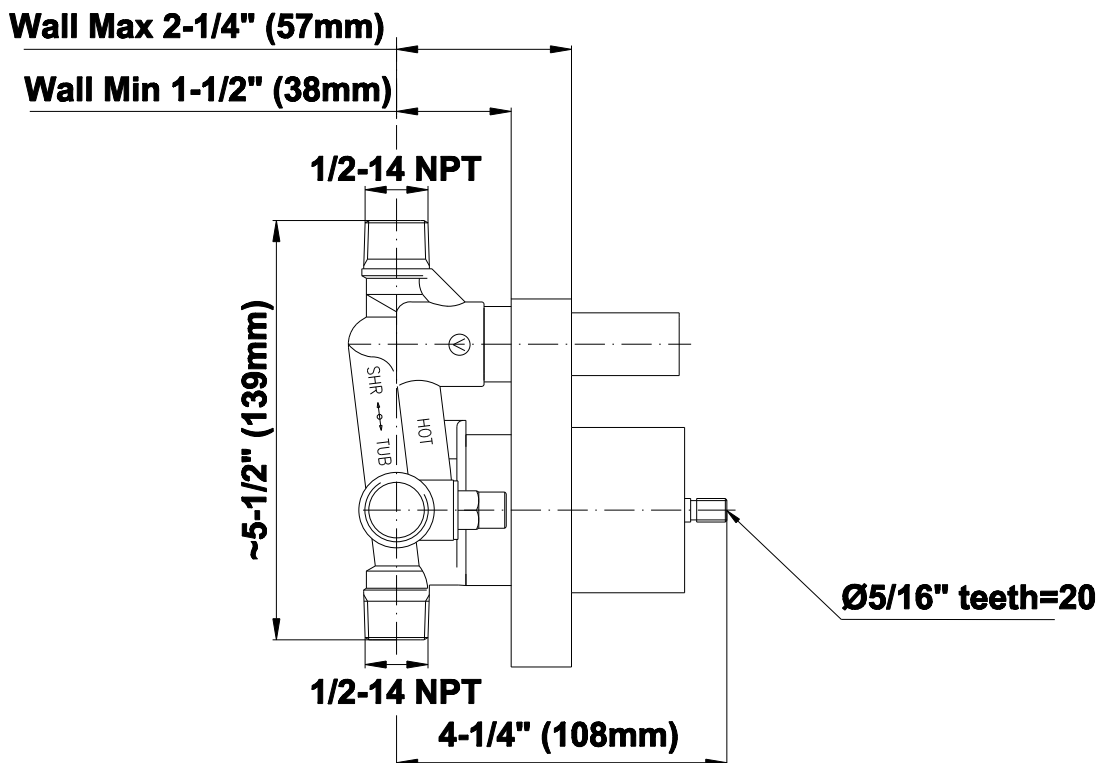
Product Features

- Anti-scald protection
- 1/2" universal inlets/outlets with male threads
- Built-in service stops
- Push-button diverter
- For use with tub & shower configuration
- Supplied with protective plastic guard

Warranty

- Limited lifetime warranty

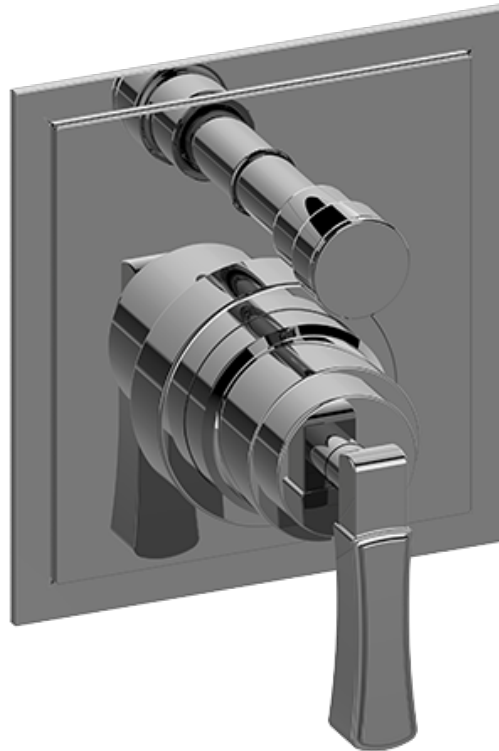
For complete warranty information go to www.graff-faucets.com/en-nam/warranty



The measurements shown are for reference only. Products and specifications shown are subject to change without notice. Revised 06/2014.

www.graff-faucets.com | phone: 800-954-4723

SHOWER
 Finezza Pressure Balancing Valve
 Trim Plate with Handle and
 Diverter
G-7085-LM47S-T



Information

- Single metal handle and decorative trim plate
- Includes push-button diverter
- Use with G-7055 Pressure Balancing rough valve
- ADA

Finishes



G-7085-LM47S-T

Finezza Collection

Pressure Balancing Valve Trim Plate with Handle and Diverter

GRAFF[®]
CUTTING EDGE DESIGN



Product Features

- Single metal handle and decorative trim plate
- Includes push-button diverter
- Use with G-7055 Pressure Balancing rough valve

Available Finishes

- Polished Chrome
G-7085-LM47S-PC-T
- Brushed Nickel
G-7085-LM47S-BNi-T
- Polished Nickel
G-7085-LM47S-PN-T
- Olive Bronze™
G-7085-LM47S-OB-T

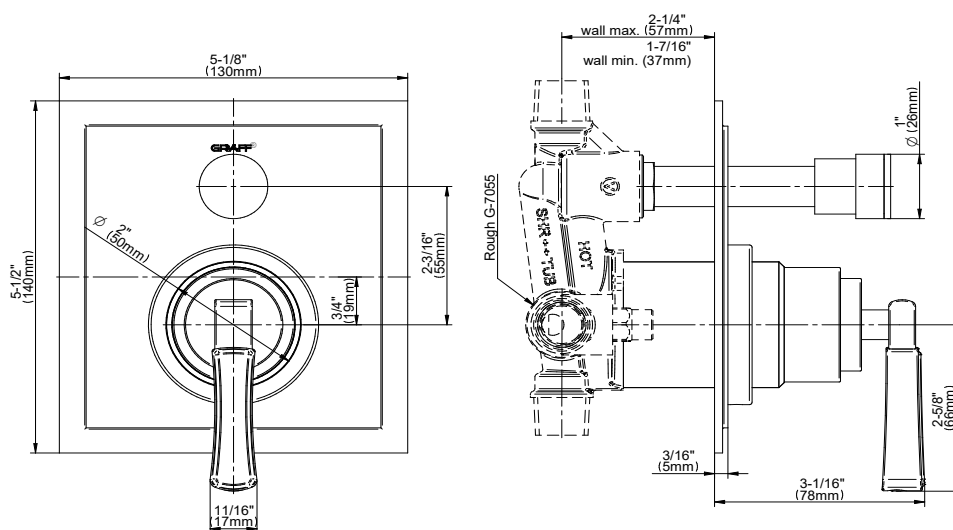
Code Compliance

- ADA

Warranty

- Limited lifetime warranty

For complete warranty information go to: www.graff-faucets.com/en/info/faqs



SHOWER
Finezza 9" Showerhead
G-8406

GRAFF®



Information

- 126 no-clog, easy-clean rubber spray nozzles
- Recommended use with ceiling shower arm
- Recommended for use at no more than 10 degrees tilt
- Showerhead flow rate ≤ 1.8 max gpm
- CALGreen

Finishes



G-8406

Finezza Collection
9" Rain Showerhead

GRAFF[®]
CUTTING EDGE DESIGN

Product Features

- Sunflower shape
- 126 no-clog, easy-clean rubber spray nozzles
- Showerhead flow rate < 1.8 max gpm



Available Finishes

- Polished Chrome
G-8406-PC
- Brushed Nickel
G-8406-BNi
- Polished Nickel
G-8406-PN
- Unfinished Brass*
G-8406-UB*
- Olive Bronze
G-8406-OB*
- Gold*
G-8406-AU*
- Brushed Gold*
G-8406-BAU*

* Special order finish- call for availability

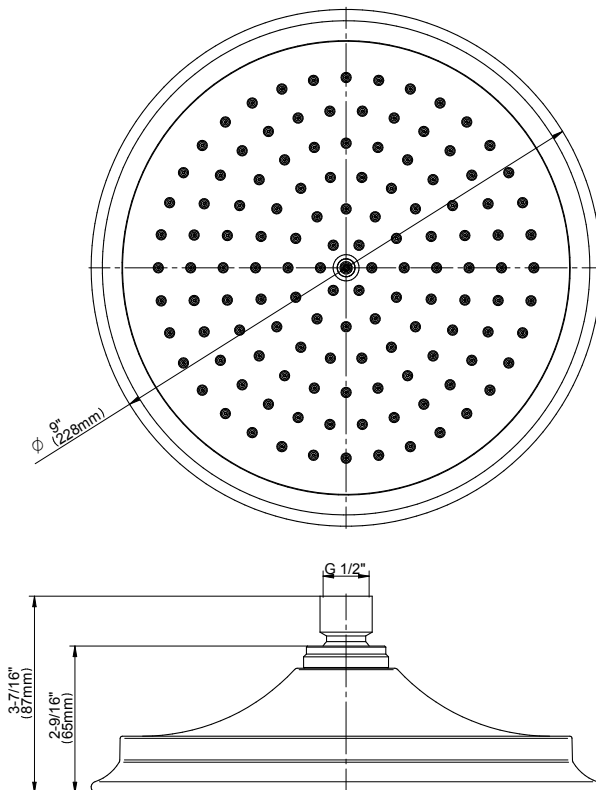
Code Compliance

- CALGreen

Warranty

- Limited lifetime warranty

For complete warranty information go to
www.graff-designs.com/en-nam/warranty



The measurements shown are for reference only. Products and specifications shown are subject to change without notice. Revised 12/2017

www.graff-designs.com | phone: 800-954-4723

SHOWER
 Finezza 12" Shower Arm
G-8513



Information

- Includes arm and solid flange
- 1/2" NPT male thread inlet
- For use with all showerheads (especially G-8406)

Finishes



G-8513

Finezza Collection
12" Shower Arm

GRAFF[®]
CUTTING EDGE DESIGN



Product Features

- Includes arm and solid flange
- 1/2" NPT male thread inlet

Available Finishes

- Polished Chrome
G-8513-PC
- Brushed Nickel
G-8513-BNi
- Polished Nickel
G-8513-PN
- Olive Bronze™
G-8513-OB

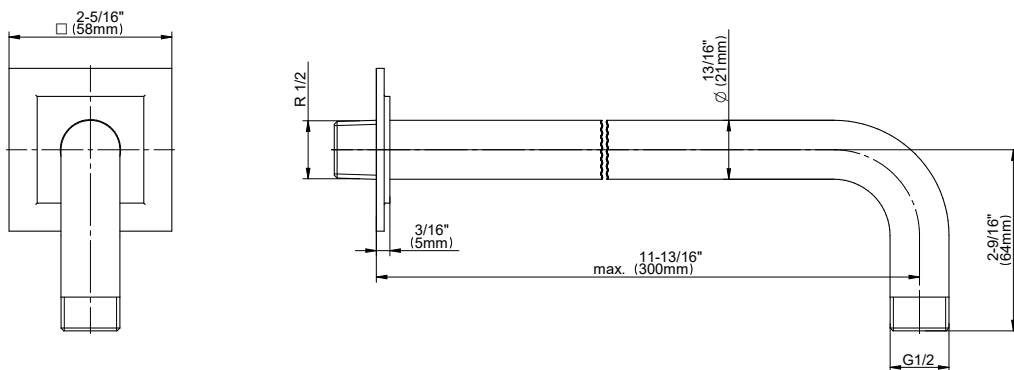
Optional Accessories

- For use with all showerheads especially G-8406-**

Warranty

- Limited lifetime warranty

For complete warranty information go to: www.graff-faucets.com/en/info/faqs



The measurements shown are for reference only. Products and specifications shown are subject to change without notice. Revised 01/2017

www.graff-faucets.com | phone: 800-954-4723



Information

- Brass spiral flexible hose with conical nut

Finishes



24K Gold



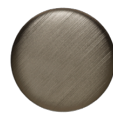
24K Brushed Gold



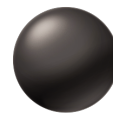
Brushed Brass PVD



Architectural Black™



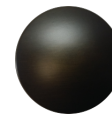
Brushed Nickel



Gunmetal



Matte Black



Olive Bronze



Onyx PVD®



Polished Brass PVD



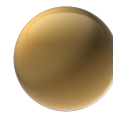
Polished Chrome



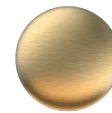
Polished Nickel



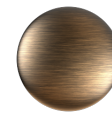
OR'osa PVD®



Unfinished Brass



Unfinished Brushed Brass



Vintage Brushed Brass



Architectural White

Product Features

- Brass spiral flexible hose with conical nut



Warranty

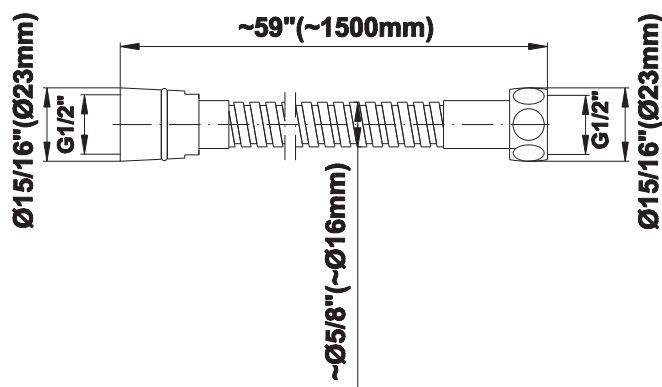
- Limited lifetime warranty

For complete warranty information go to www.graff-designs.com/en-nam/warranty

Available Finishes

- Polished Chrome
G-8605-PC
- Polished Nickel
G-8605-PN
- Brushed Nickel
G-8605-BNi
- Unfinished Brushed Brass*
G-8605-UBB*
- Unfinished Brass*
G-8605-UB*
- Matte Black*
G-8605-MBK*
- Architectural Black*
G-8605-BK*
- Architectural White*
G-8605-WT*
- Olive Brass*
G-8605-OB*
- Gunmetal*
G-8605-GM*
- Vintage Brushed Brass*
G-8605-VBB*
- Steelnox (Satin Nickel)
G-8605-SN
- 24K Brushed Gold*
G-8605-BAU*
- 24K Gold*
G-8605-AU*
- Gunmetal Distressed*
G-8605-GMD*

* Special order finish- call for availability





Information

- 1/2" NPT male thread inlet

Finishes



24K Gold



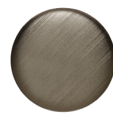
24K Brushed Gold



Brushed Brass PVD



Architectural Black™



Brushed Nickel



Gunmetal



Matte Black



Olive Bronze



Onyx PVD®



Polished Brass PVD



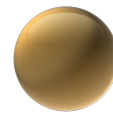
Polished Chrome



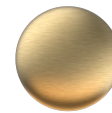
Polished Nickel



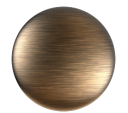
OR'osa PVD®



Unfinished Brass



Unfinished Brushed Brass



Vintage Brushed Brass



Architectural White

G-8653

Finezza DUE Collection
Finezza DUE Wall Supply Elbow



Product Features

- 1/2" NPT male thread inlet



Available Finishes

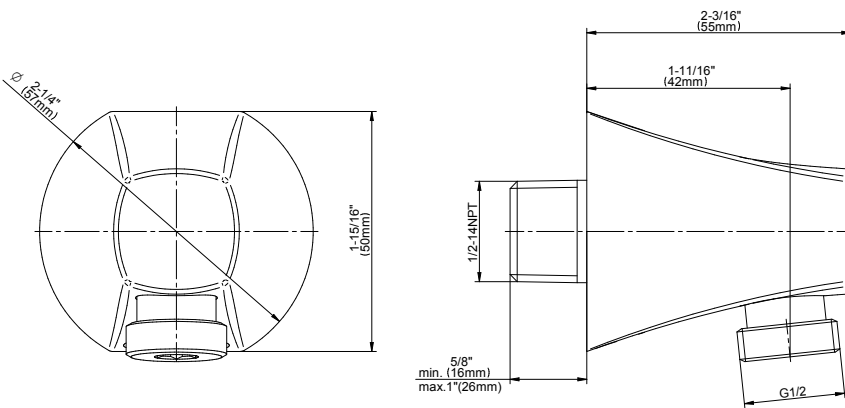
- Polished Chrome
G-8653-PC
- Brushed Nickel
G-8653-BNi
- Polished Nickel
G-8653-PN
- Olive Bronze
G-8653-OB
- Unfinished Brass*
G-8653-UB*
- Gold*
G-8653-AU*
- Brushed Gold*
G-8653-BAU*

* Special order finish- call for availability

Warranty

- Limited lifetime warranty

For complete warranty information go to <https://www.graff-faucets.com/en/info/faqs>



The measurements shown are for reference only. Products and specifications shown are subject to change without notice. Revised 5/2018.

www.graff-designs.com | phone: 800-954-4723

SHOWER
 Finezza DUE Wall-Mounted Slide
 Bar
G-8661



Information

- 22" wall-mounted slide bar
- Adjustable bracket fits all hoses with conical nut

Finishes



24K Gold



24K Brushed Gold



Brushed Brass PVD



Architectural Black™



Brushed Nickel



Gunmetal



Matte Black



Olive Bronze



Onyx PVD®



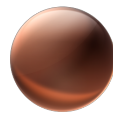
Polished Brass PVD



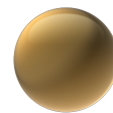
Polished Chrome



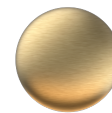
Polished Nickel



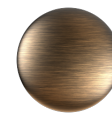
OR'osa PVD®



Unfinished Brass



Unfinished Brushed Brass



Vintage Brushed Brass



Architectural White

G-8661

Finezza DUE Collection

Finezza DUE Wall-Mounted Slide Bar

GRAFF®



Product Features

- 22" wall-mounted slide bar
- Adjustable bracket fits all hoses with conical nut

Available Finishes

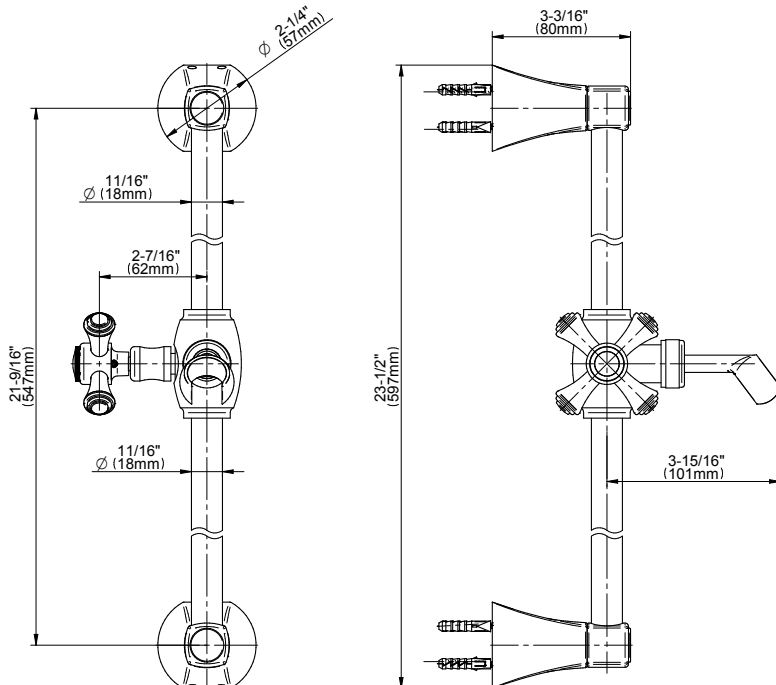
- Polished Chrome
G-8661-PC
- Brushed Nickel
G-8661-BNi
- Polished Nickel
G-8661-PN
- Olive Bronze
G-8661-OB
- Unfinished Brass*
G-8661-UB*
- Gold*
G-8661-AU*
- Brushed Gold*
G-8661-BAU*

* Special order finish- call for availability

Warranty

- Limited lifetime warranty

For complete warranty information go to <https://www.graff-faucets.com/en/info/faqs>



The measurements shown are for reference only. Products and specifications shown are subject to change without notice. Revised 5/2018.

www.graff-designs.com | phone: 800-954-4723



Information

- Solid brass construction
- All-metal handle
- Shower hose not included
- Includes internal backflow preventer
- Handshower flow rate ≤ 1.8 max gpm
- CALGreen

Finishes

							
24K Gold	24K Brushed Gold	Brushed Brass PVD	Architectural Black™	Brushed Nickel	Gunmetal	Matte Black	Olive Bronze
							
Onyx PVD®	Polished Brass PVD	Polished Chrome	Polished Nickel	OR'osa PVD®	Unfinished Brass	Unfinished Brushed Brass	Vintage Brushed Brass
							
Architectural White							

G-8724

Finezza Collection
Finezza Handshower

GRAFF®



Product Features

- Solid brass construction
- Smooth, all-metal handle
- Shower hose not included
- Handshower flow rate ≤ 1.5 max gpm
- Includes internal backflow preventer

Available Finishes

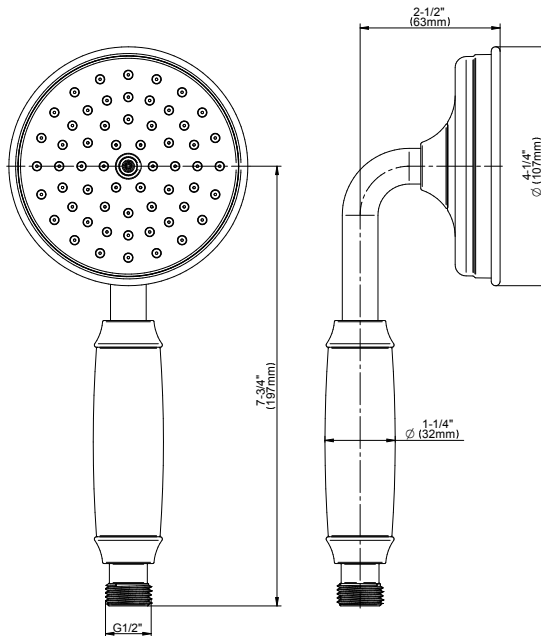
- Polished Chrome
G-8724-PC
- Brushed Nickel
G-8724-BNi
- Polished Nickel
G-8724-PN
- Olive Bronze
G-8724-OB
- Unfinished Brass*
G-8724-UB*
- Gold*
G-8724-AU*
- Brushed Gold*
G-8724-BAU*

* Special order finish- call for availability

Warranty

- Limited lifetime warranty

For complete warranty information go to
<https://www.graff-faucets.com/en/info/faqs>



The measurements shown are for reference only. Products and specifications shown are subject to change without notice. Revised 5/2018.

www.graff-designs.com | phone: 800-954-4723