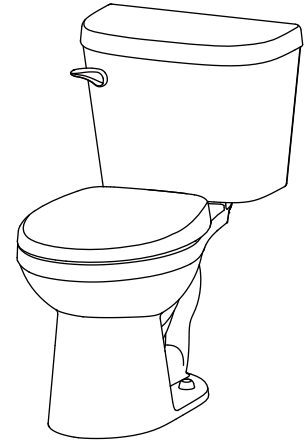


12" Rough-in

### Features:

#### □ MX-20-902

- Vitreous china
- Combination bowl and tank
- 1.6 gpf (gallons per flush)
- 12" rough-in
- Round Front bowl
- Dual-fed siphon jet
- Pilot fill valve
- 3" flush valve
- 2" glazed trapway
- Double Nut Mounting System
- Color matched front tank lever (white only)
- 2 bolt caps
- Toilet seat not included



### Technical Information:

#### Included Components:

- Combination MX-20-902
- Bowl MX-21-952
- Tank MX-28-990

#### Other Tank Options: (bowl to be purchased separately)

- Insulated Tank MX-28-992
- Tank with Right Hand Lever MX-28-990-97

### Fixtures:

Configuration	Two-piece, round front
Water per Flush	1.6 gpf (6 lpf)
Rough-In	12"
Height	28 <sup>13</sup> / <sub>16</sub> "
Width	17 <sup>5</sup> / <sub>16</sub> "
Depth	26 <sup>1</sup> / <sub>4</sub> "
Trapway	2"
Large Water Surface	8 <sup>11</sup> / <sub>16</sub> " x 6 <sup>5</sup> / <sub>16</sub> "
Product Weight	76 lbs

### Accessories: (to be purchased separately)

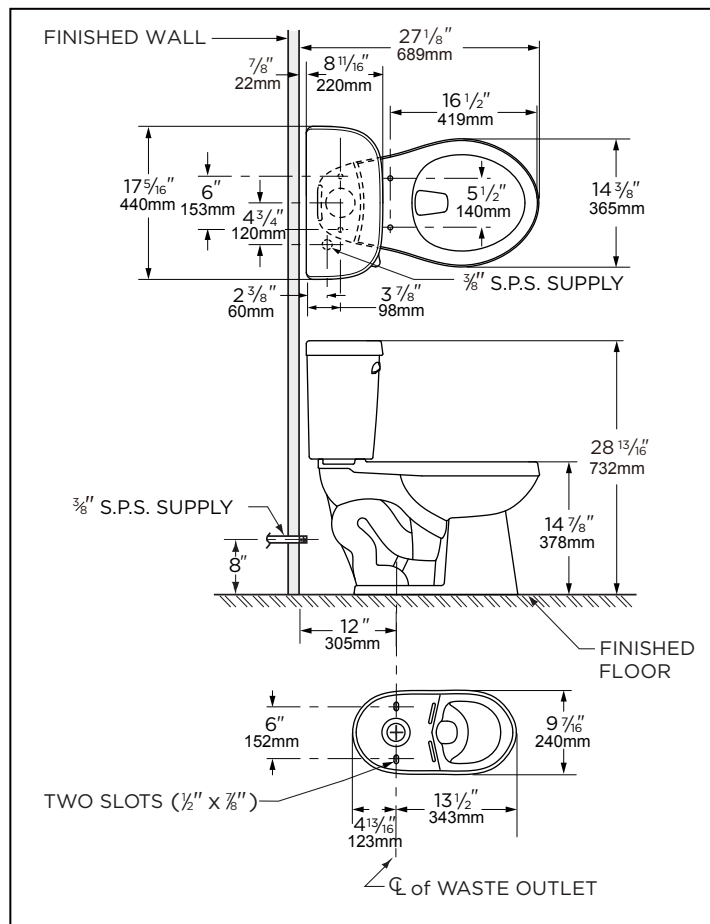
- 99-217

### Colors:

- White
- Other: Refer to Price Book for additional colors

### Warranty:

- 5 year, Limited Lifetime Warranty



NOTES: All dimensions are in inches and millimeters. Illustrations may not be drawn to scale.

#### IMPORTANT:

Dimensions of fixtures are nominal and may vary within the range of tolerances established by ASME standard A 112.19.2 THIS FIXTURE QUALIFIES ACCORDING TO ASME TEST PROCEDURES AS A LOW CONSUMPTION WATER CLOSET WITH AN AVERAGE CONSUMPTION OF 1.6 gpf (6 Lpf) OR LESS.