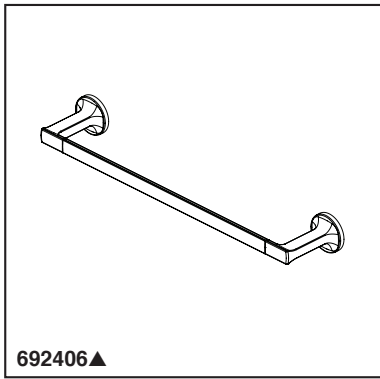


# BRIZO®

## ACCESSORIES

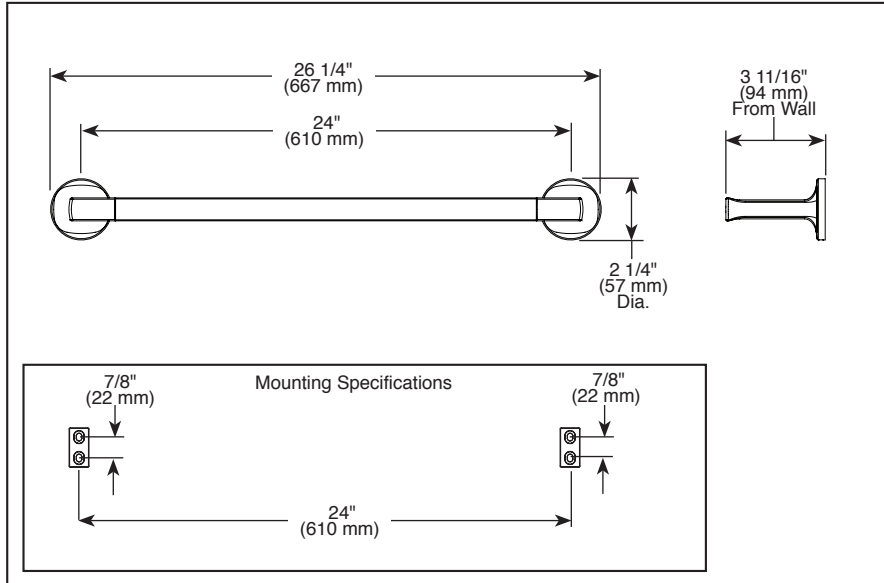
- Kintsu™ Collection
- 24" Towel Bar



692406▲

Submitted Model No.: \_\_\_\_\_

Specific Features: \_\_\_\_\_

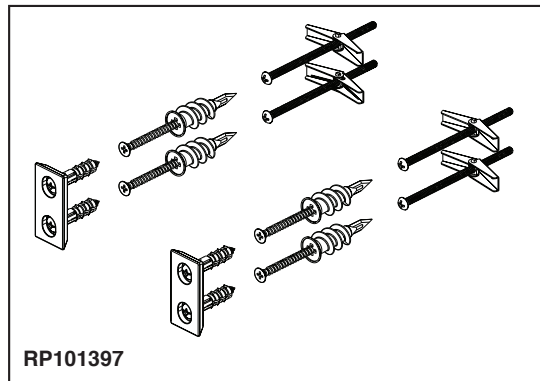


### STANDARD SPECIFICATIONS:

- Wood blocking is preferable behind all wall surfaces. If wood blocking is not available, try finding a wood stud to anchor at least one end of this accessory.
- Mounting hardware and mounting instructions included with product.
- Note: Plastic anchors, screws, toggle bolts, and mounting brackets are included with the mounting hardware.
- All metal construction

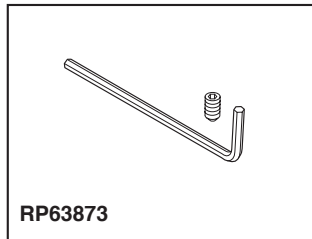
### WARRANTY

- Parts and Finish - Lifetime limited warranty; or for commercial purchasers, 10 years for multi-family residential (apartments and condominiums) and 5 years for all other commercial uses, in each case from the date of purchase.
- Electronic Parts and Batteries (if applicable) - 5 years from the date of purchase; or for commercial purchasers, 1 year from the date of purchase. No warranty is provided on batteries.

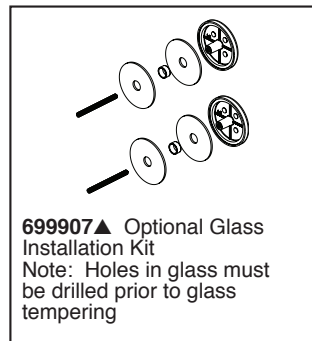


RP101397

▲ Designate proper finish suffix



RP63873



699907▲ Optional Glass Installation Kit  
Note: Holes in glass must be drilled prior to glass tempering