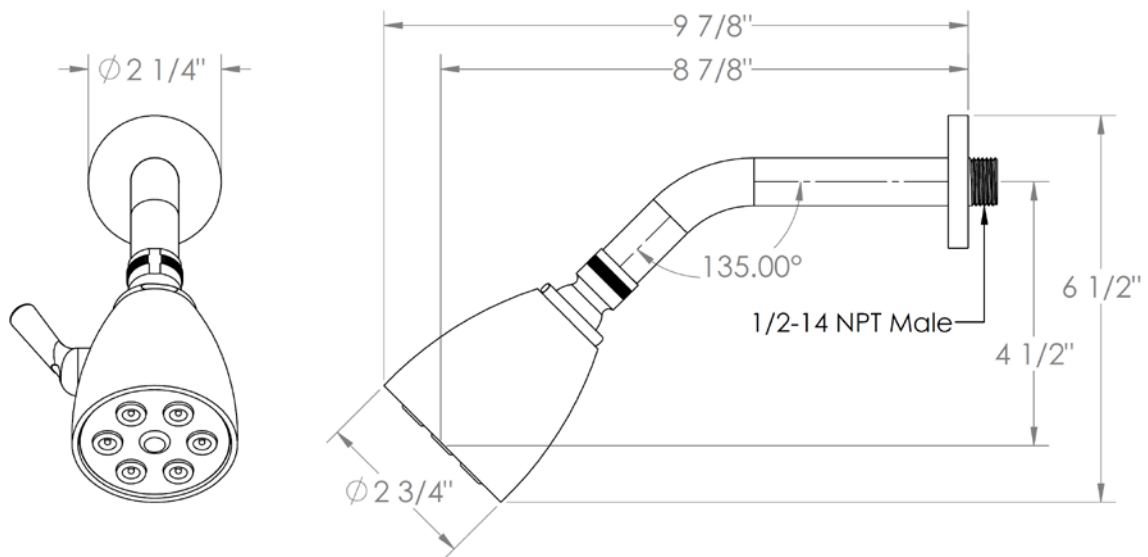


34-HAF

Wall Mounted Showerhead

Flow Rate: 2.0 GPM



Meets the applicable requirements of ASME A112.18.1/CSA B125.1



WATERMARK DESIGNS 3/7/2018

350 Dewitt Ave Brooklyn NY 11207 USA T 718 257 2800 F 718 257 2144 info@watermark-designs.com