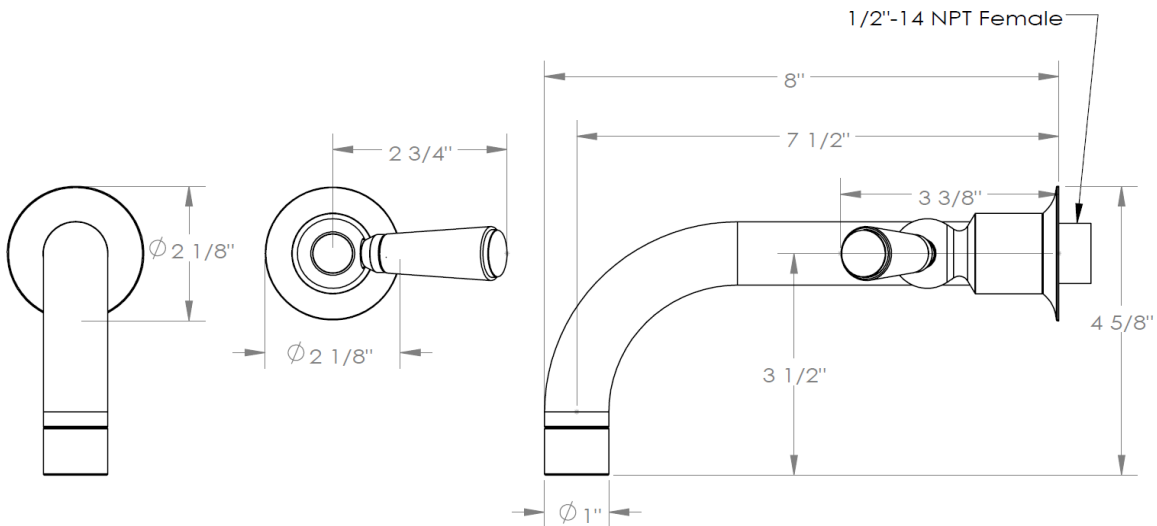


**34-1.2-H4**

Wall Mounted 2 Hole Lavatory Set  
For use with SS-SHV1.2 concealed rough  
Flow Rate: 1.2 GPM



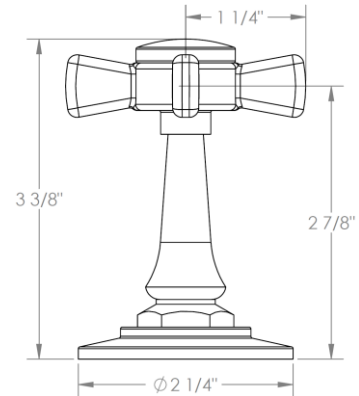
Meets the applicable requirements of ASME A112.18.1-2005/CSA B125.1-05, entitled "Plumbing Supply Fittings"

**WATERMARK DESIGNS 11/2/2016**

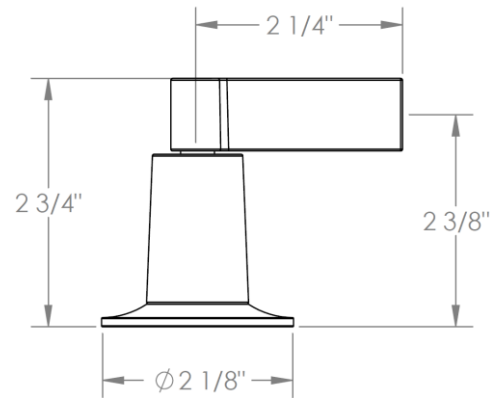
350 Dewitt Ave Brooklyn NY 11207 USA T 718 257 2800 F 718 257 2144 info@watermark-designs.com

## Haley Handle Trim Options

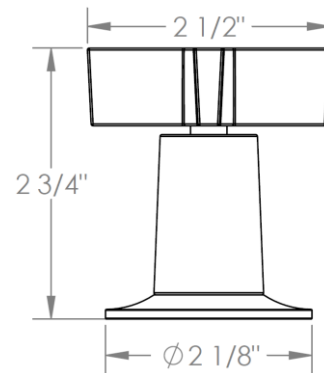
### B9M – SISTINA



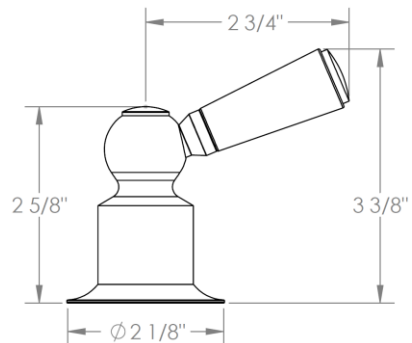
### DD2 – ASTAIRE



### DD3 – GARBO

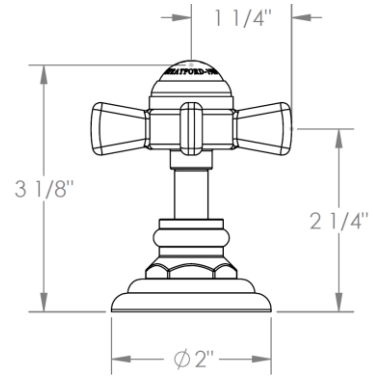


### H4 – HARMONIE



## Haley Handle Trim Options

### S1 – PRESTON



### S1A – NOTTINGHAM

